



КАТАЛОГ ПРОДУКЦИИ LEADSHINE

Комплектующие
для сервоприводов

Purelogic R&D -
официальный дистрибьютор
Leadshine Technology Co., Ltd. в России

Company Profile

Founded in 1997 by Warren Li, a MIT PhD graduate and former USA professor, Leadshine Technology Co., Ltd. is a leading technology company dedicated to design, manufacture, market, and support reliable and affordable motion control products based on the latest control technologies. Leadshine offers a full complement of products including motion controllers, control systems, integrated servos, servo drives & motors, easy servo drives & motors (closed loop steppers), integrated easy servo motors, integrated steppers, stepper drives & motors. Today, Leadshine is one of the largest motion control companies in the world to provide solutions and quality products to tens of industries, and thousands of OEM clients in Asia, Europe, North & South America, Australia, and Africa.

R&D

Led by Dr. Li, a PhD majored in robotics & servo controls from MIT, Leadshine has one of the strongest R&D teams in the motion control industry. The team consists of more than 100 R&D engineers and all of them are highly educated with most of them carry PhD & Master degrees in controls, electrical & electronics engineering, mechanical engineering, mechatronics, computer engineering, and computer science. Their strong background and experience allow Leadshine capable of designing superior quality products based the latest technology in the most efficient way.

Product Quality

Leadshine operates manufacturing facilities which are superiorly equipped, professionally staffed, and ISO-9001 certified. That allows Leadshine to provide highly reliable quality motion control products OEM clients in the shortest time.

Leadshine's products have proven records of being successfully adopted in thousands of applications such as CNC routers, mills, plasmas, lathes, laser cutters/engravers/markers, inkjet printers, plotters, electronics equipments, medical equipments, semiconductor assembly & inspection machines, electronics machines, packaging equipments, textile machines, robotics, pick-and-place devices, etc. In most cases, Leadshine's standard "off-the-shelf" products are able to satisfy the motion control needs for most applications. For many OEM applications with special requirements, Leadshine also offers customized products with optimized performance.

Support and Service

Leadshine believes the key to be a successful motion product supplier is the commitment to fully understanding our customer's applications and working closely with our OEM clients. In many cases, Leadshine engineers can participate in the whole process of client product development, including initial application evaluation, product selection, design help & suggestion. Our expertise and experience allow us to help OEM clients to produce competitive high quality machines in their industries.



Product Overview

AC Servo Systems



Voltage Input: 220VAC 1/3ph input
Motor frame size: 40mm, 60mm, 80mm, 130mm
Motor Power(W): 100, 200, 400, 750, 850, 1000, 1200, 1500, 1800, 2000

Encoder:
 ■ 17bit incremental encoder
 ■ 23bit multi-turn absolute encoder

Features:
 ■ Automatic motor identification
 ■ RS485/Modbus/EtherCAT
 ■ Notch filter, Damping filter

Command source:
 ■ Pulse+Direction
 ■ Analog input
 ■ Modbus RTU
 ■ EtherCAT
 • Cia402
 • CoE-Based on DSP-402 Device Profile
 ■ PR Mode
 • Programmable 16-segment position table,
 • support positioning/homing/ limit/
 • quick stop/ JOG...

Inputs and Outputs:
 ■ Pulse: 0-500kHz, 5V differential input/24V Single-ended
 ■ 9 inputs(common+ and common- two wiring modes)
 ■ 6 outputs(4 single-ended, 2 differential)
 ■ Encoder ABZ output(3 single-ended, 3 differential)
 ■ -10Vdc~+10Vdc Analog

Position Mode

Velocity Mode

Torque Mode

Brushless Servo Systems



Voltage Input: 24~70VDC
Motor Frame Size: 40mm, 42mm, 57mm, 60mm, 80mm
Motor Power(W): 100, 200, 400, 750, 1000,1200

Encoder:
 1000 line, 2500 lines, 17 bit

Features:
 ■ RS485/Modbus/Canopen
 ■ Notch filter, Damping filter
 ■ Internal resistor

Command source:
 ■ Pulse+Direction(for position control)
 ■ Analog input(for velocity/torque control)
 ■ Modbus based on RS485
 ■ PR Mode
 • Programmable 16-segment position table,
 • Support positioning/homing/ limit/
 • Quick stop/ JOG...
 ■ CANopen

Inputs and Outputs:
 ■ 2 fast pulse input, 5V only
 ■ 7 programmable OC inputs, 24V
 ■ 2 programmable differential outputs
 ■ 3 programmable OC outputs, 24V
 ■ 1 analog output: -10V to +10V(Optional)

Position Mode

Velocity Mode

Torque Mode

Integrated Servo Motors



Voltage Input: 24~50VDC
Motor Frame Size: 57mm, 60mm
Motor Power(W): 90, 100, 130, 180, 200
Encoder: 1000-line, 16-Bit

Features:
 ■ Highly Intergrated
 ■ Easy tuning, flexible to control
 ■ Lower Cable Cost
 ■ Save Mounting Space

Command source:
 ■ Pulse+Direction
Inputs and Outputs:
 ■ Alarm output

Position Mode

Contents

AC Servo Systems

ELP Series AC Servo Drives	-----	04
ELM Series AC Servo Motors	-----	10

Brushless Servo Systems

ELD2 Series Brushless Servo Drives	-----	27
ELD5 Series Brushless Servo Drives	-----	30
ELDM Series Brushless Servo Motors	-----	32

Integrated Servo Motors

iSV Series Integrated Servo Motors	-----	37
------------------------------------	-------	----

Reserved Products

ACS Series Brushless Drives	-----	39
BLM Series Brushless Motors	-----	40
DCS Series Brushed Drives	-----	42
DCM Series Brushed Servo Motors	-----	43

Power Supplies

Power Supplies	-----	46
----------------	-------	----

ELP Series AC Servo Drives



- Power range: 100W - 2kW
- 220 Vac input
- Automatic motor identification
- Easy tuning
- Built-in dynamic brake

ELP Series AC servo products are high performance AC digital servo which is designed for position/velocity/torque high accurate control, power range up to 2kW and it can provide intelligent performance with easy tuning process.

Combined with abundant features like MFC, vibration suppression, Multi-mode filter function, etc. It provides machines a compact size, low tuning works, but high resolution encoder up to 23 Bits, which can be used for high accuracy applications.



ELP-D Pulse Version ELP-D Series Drive

Position

- 5V differential pulse/24V single-ended pulse
- 17bit Single-turn Incremental Encoder /23bit Multi-turn Absolute Encoder
- Built-in dynamic brake
- New protuner-Motion Studio supported



ELP-RS Version ELP-RS Series Drive

Position/Velocity/Torque Mode

- Rs485 based on Modbus
- 16paths Motion-PR Mode
- 17bit Single-turn Incremental Encoder/ 23bit Multi-turn Absolute Encoder
- Built-in dynamic brake
- New protuner-Motion Studio supported



ELP-EC Version ELP-EC Series Drive

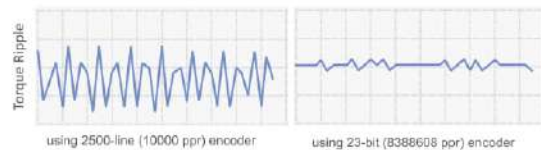
Position/Velocity/Torque Mode

- EtherCAT—Cia402 · CoE
- 14 Inputs and 8 outputs
- 17bit Single-turn Incremental Encoder/ 23bit Multi-turn Absolute Encoder
- Built-in dynamic brake
- New protuner-Motion Studio supported

High Precision

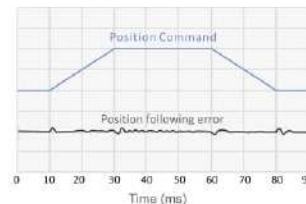
- Up to 23bit(8388608 ppr) high resolution encoder.
- Motors come with up to 23bit (8388608 ppr) high resolution encoders are also available for applications require higher precision, smoother movement and lower torque ripple

Lower torque ripple, lower vibration



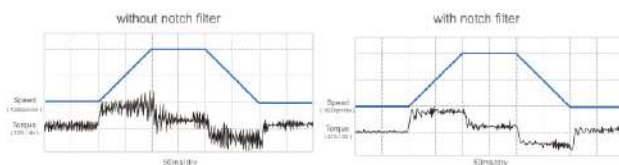
Excellent Position Following Capability

- By adopting load identification and torque feedforward advanced control algorithms, very small velocity ripple and position following error can be achieved. It is a great feature of the ELP when multi-axis synchronization such as interpolations are required.



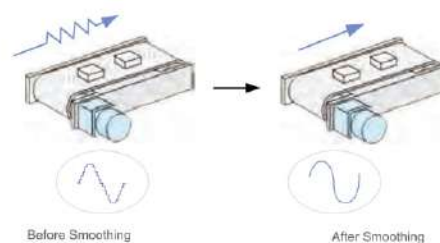
Vibration Suppression

- Adaptive filter makes the notch filter frequency automatically follow the machine resonance frequency.
- Can suppress vibration occurring at both starting and stopping in low stiffness machine.
- Suppress vibration frequency up to 1500 Hz.

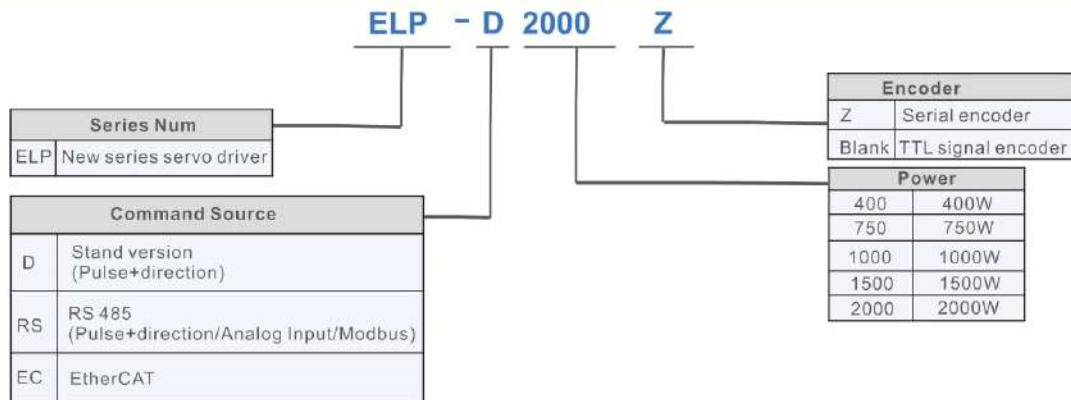


Command Signal Smoothing

- Command signal smoothing can soften the effect of immediate change in velocity and direction, delivering smoother movement and longer lifetime.



Part Numbers



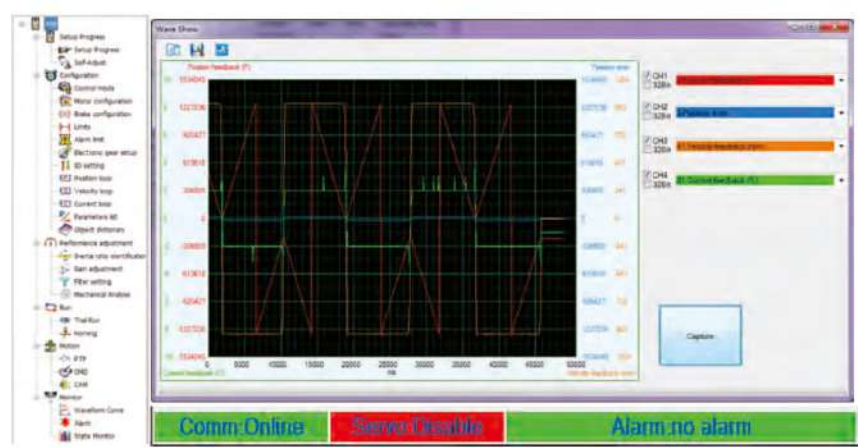
Specifications

Servo drive model	ELP-*400Z	ELP-*750Z	ELP-*1000Z	ELP-*1500Z	ELP-*2000Z
Rated output power	400W	750W	1000W	1500W	2000W
Rated output current [A]	2	5.5	7	9.5	12
Max output current [A]	8.5	16.5	21	28.5	36
Dimensions(mm)	40*175*156	50*175*156	50*175*156	80*175*175	80*175*175
Main power	1-phase 190Vac – 240Vac , 50/60Hz			1 or 3-phase 190Vac – 240Vac,50/60Hz	
Control power	1-phase 190Vac–240Vac, 50/60Hz				
Control mode	IGBT SVPWM sinusoidal wave control				
Feedback mode	17bit single-turn incremental encoder/23bit multi-turn absolute encoder				
Input pulse	0-500kHz,5V differential input				
Position bandwidth	200HZ				
Electronic gear ratio	1~32767/1~32767				
Analog input	-10~10Vdc,input resistance 20KΩ, no isolation				
Velocity bandwidth	500HZ				
Input signal	DI : 9 inputs (common-cathode , common-anode) Servo enable, over-travel inhibition, gain switching, command pulse inhibition, speed zero clamp, deviation counter clear, alarm clear				
Output signal	Do : 6 outputs (4 single-ended , 2 differential) Alarm output, servo-ready, at-speed, zero-detection, velocity coincidence				
Encoder signal output	A phase, B phase, Z phase, long-distance drive mode output				
Alarm function	Over-voltage, under-voltage, over-current, over-load, encoder error, position deviation error, brake alarm, limit alarm, over-speed error etc.				
Debug software	All setting values of current loop, velocity loop , position loop can be modified and saved with Motion Studio software , all setting values can be downloaded and uploaded				
Communication interface	USB : Based on Modbus protocol (according to USB2.0 specification) RS485				
Brake mode	Built-in brake resistor or external resistor				
Adapt load inertia	Less than 30 times motor inertia				
weight	About 1.5-3Kg				

Servo drive series	ELP-D***Z	ELP-RS***Z	ELP-EC***Z
Control mode	<ul style="list-style-type: none"> Position control JOG 	<ul style="list-style-type: none"> Position control Velocity control Torque control Built-in PR mode Modbus RTU JOG 	<ul style="list-style-type: none"> CSP(Cyclic Synchronous Position) CSV(Cyclic Synchronous Velocity) CST(Cyclic Synchronous Torque) PP(Profile Position) PV(Profile Velocity) PT(Profile Torque) HM(Homing)
Encoder output	5V Differential , 0-500kHz 24Vsingle-ended,0-200kHz	5V Differential , 0-500kHz 24Vsingle-ended,0-200kHz	--
Digital input	9 inputs (common-cathode , common-anode)	9 inputs (common-cathode , common-anode)	14 inputs (common-cathode/ common-anode) 2 differential (for capture probe)
Digital output	6 inputs (4 single-ended , 2 differential)		
Analog input	--	2 analog input: -10 ~ +10Vdc	--
Network	--	Modbus RTU (RJ 45)	EtherCAT (RJ45)
Maximum frequency Of pulse input	5V Differential , 500kHz 24Vsingle-ended, 200kHz	5V Differential , 500kHz 24Vsingle-ended, 200kHz	--

Motion Studio - New Tuning Software

- Information such as parameter setting and monitoring are consolidated easily just by connecting a personal computer to servo drive.
- Display parameter setting in list or visual formats, and set parameters by selecting from the drop down list
- Adjust control gain finely on the [Tuning] window manually for better performance.
- State monitoring and 4 channel wave showing with high accuracy.
- Easy to set the values of object dictionary for drive with EtherCAT version.
- Easy to read/save/download/compare/reset all parameters.

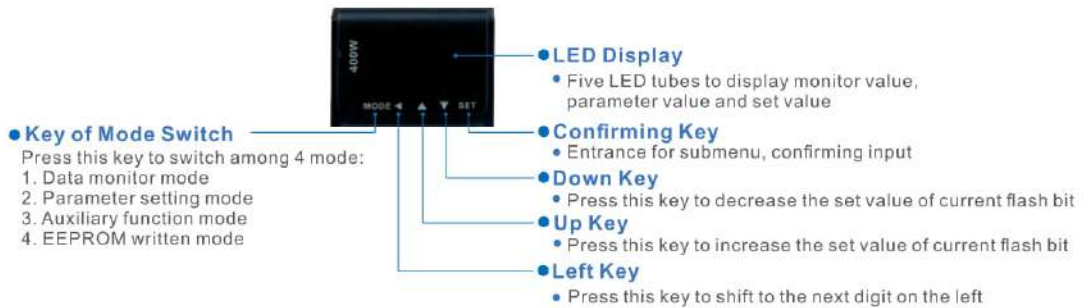
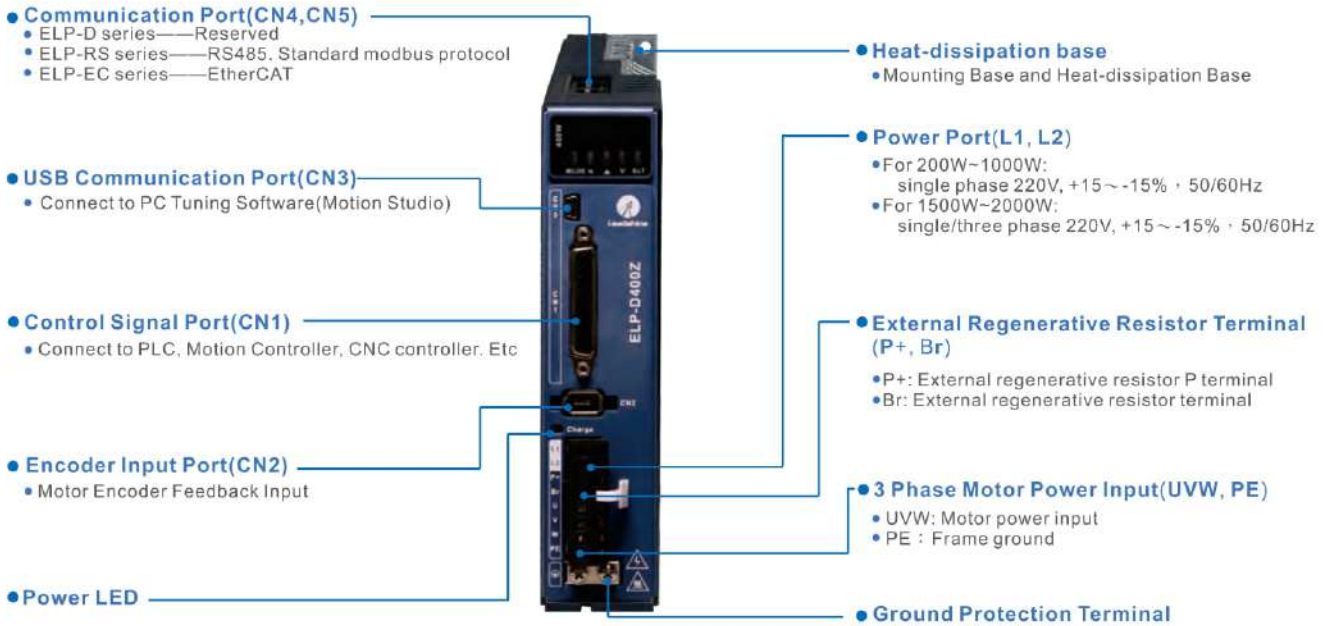


This block contains several screenshots from the Motion Studio software.

- The top-left screenshot shows the 'Parameter' list for a servo drive, with columns for Name, Value, and Unit. Parameters include 'Encoder resolution', 'Encoder zero', 'Motor vibration', etc.
- The top-right screenshot shows the 'Alarm' log, listing alarm codes (e.g., Er100), alarm reasons, and alarm details.
- The middle-left screenshot shows the 'Object Dictionary' view, displaying a list of parameters with their IDs, names, and values.
- The middle-right screenshot shows a detailed view of a specific parameter, '2 Switch On/Disable', with its current state and configuration options.

Servo Drive Connectors and Terminals

V ELP-D Series
 V ELP-RS Series
 V ELP-EC Series



External Regenerative Resistor

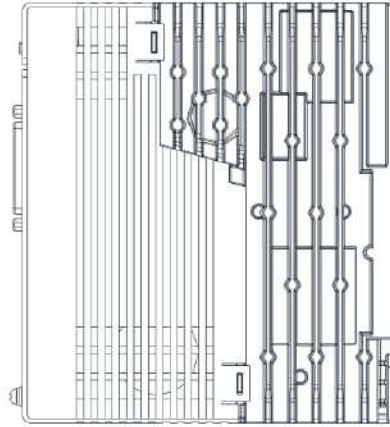
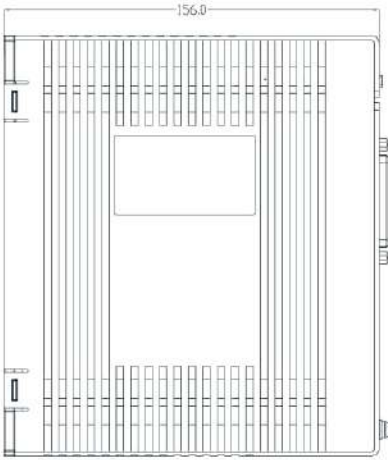
Type	Power	Resistance
RXLG-50W	50W	100Ω
RXLG-100W	100W	100Ω
RXLG-200W	200W	50Ω
RXLG-400W	400W	50Ω
RXLG-800W	800W	50Ω

Drive Mechanical Specifications

Unit: mm

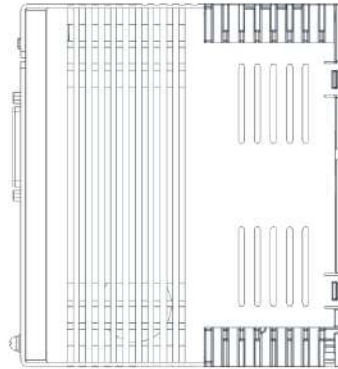
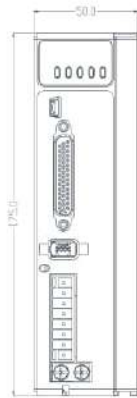
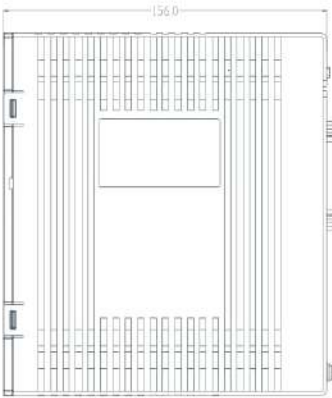
• 200W/400W

ELP-D Series ELP-RS Series ELP-EC Series



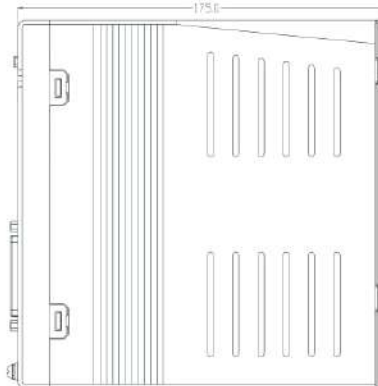
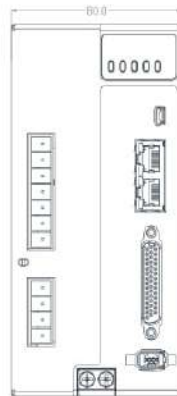
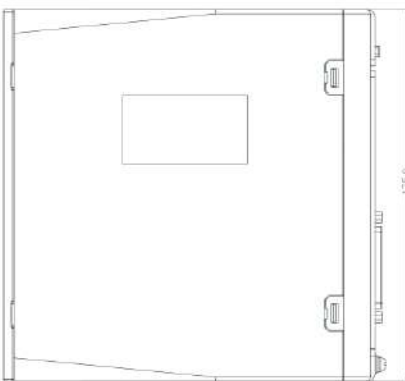
• 750W/1000W

ELP-D Series ELP-RS Series ELP-EC Series



• 1500W/2000W

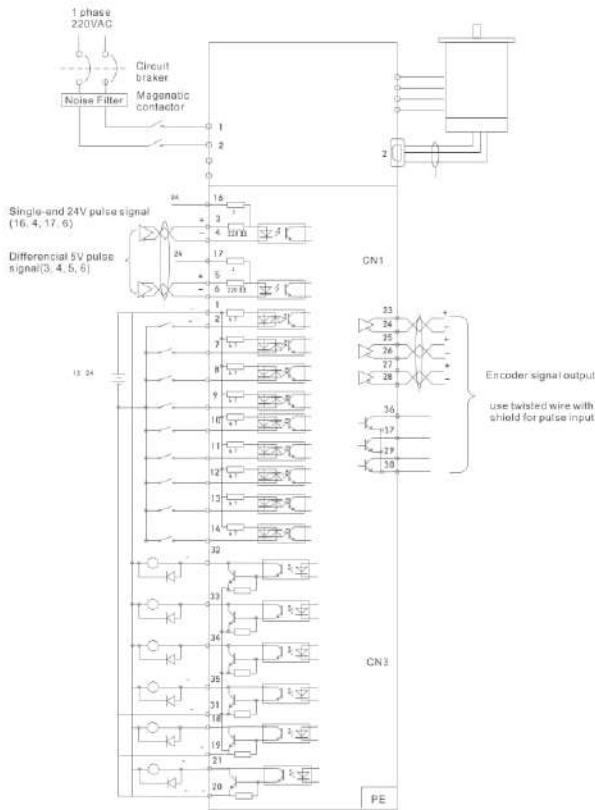
ELP-D Series ELP-RS Series ELP-EC Series



Drive Connections

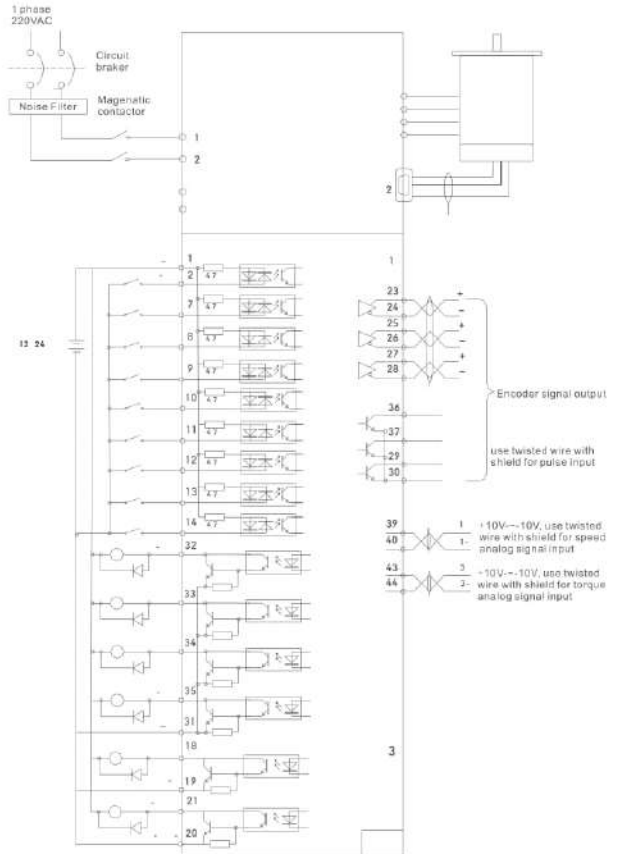
• Positional Control

ELP-D Series
 ELP-RS Series
 ELP-EC Series



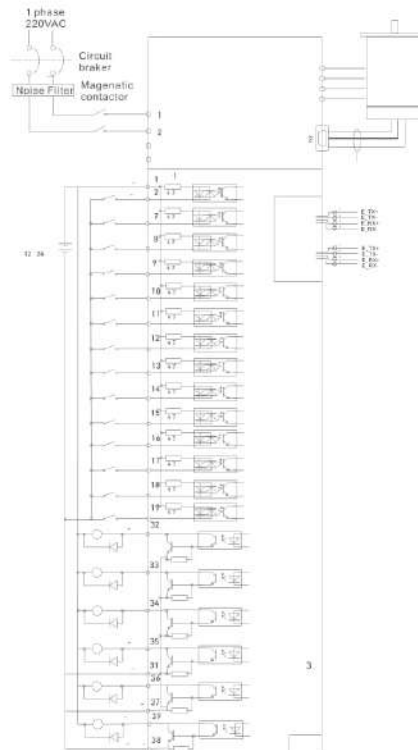
• Torque/Velocity Control

ELP-D Series
 ELP-RS Series
 ELP-EC Series



• EtherCAT Control

ELP-D Series
 ELP-RS Series
 ELP-EC Series



ELM Series AC Servo Motors

- Power range: 100 - 3kw
- Voltage: 220vac
- Feedback: 1000line, 2500line, 17bit, 23bit absolute encoder
- Frame size: 40mm, 60mm, 80mm, 110mm, 130mm



Part Numbers

ELM - 0750 L L 80 H -SS

Series Num	
ELM series motor	

Power	
0100	100W
0200	200W
0400	400W
0750	750W
0850	850W
1000	1000W
1200	1200W
1300	1300W
1500	1500W
1800	1800W
2000	2000W
2500	2500W
3000	3000W

Encoder Type	
A	1000-Line
B	2500-Line
D	17-Bit single-turn
E	17-Bit multi-turn
F	17-Bit magnetic
L	23-Bit absolute

Inertia Ratio	
L	Low
M	Medium
H	High

Plug Type	
SS	Plastic plug
HS	Small size aviation plug
H	Big size aviation plug
HH	Injection plug
HD	Special Connector

NO	Shaft Form		Brake		Oil Seal	
	Circular shaft	Keyhole	Install	None	Install	None
A	•		•		•	
B	•			•	•	
C	•		•			•
D	•			•		•
E		•	•		•	
F		•		•	•	
G		•	•			•
H		•		•		•

Frame Size	
40	40mm
60	60mm
80	80mm
110	110mm
130	130mm

AC Servo Systems

Brushless Servo Systems

Integrated Servo Motors

Reserved Products

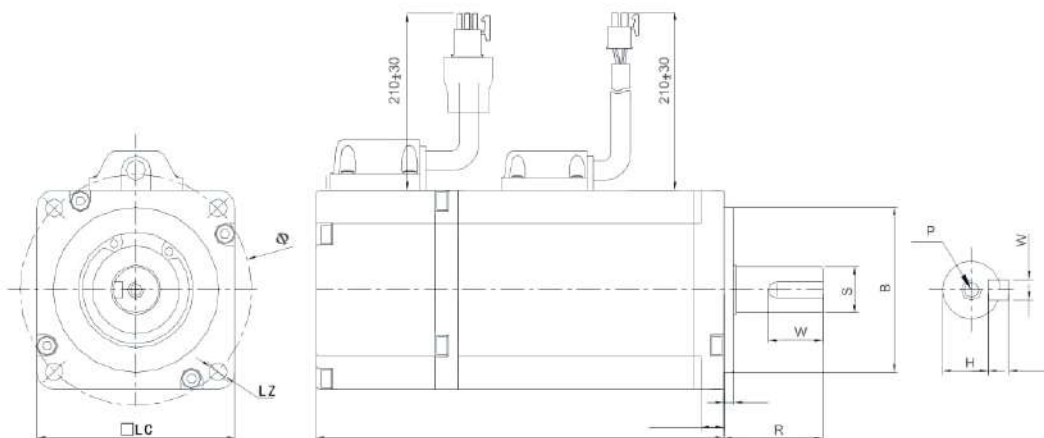
Power Supply

Servo Motors with 17-Bit Encoders

• Models

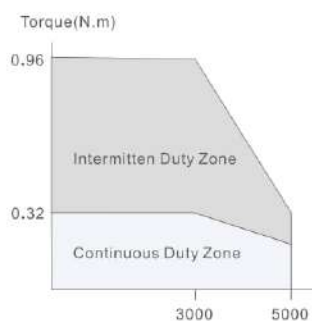
ELM Series		0100FL40H-**-	0200FL60H-**-	0400FL60H-**-	0400FM60H-**-	0750FM80H-**-	1000FM80H-**-
		0100FL40G-**-	0200FL60G-**-	0400FL60G-**-	0400FM60G-**-	0750FM80G-**-	1000FM80G-**-
Frame Size [mm]		40	60			80	
Rated Power [w]		100	200	400	400	750	1000
Voltage [VAC]		220					
Rated Torque [Nm]		0.32	0.64	1.27	1.27	2.4	3.2
Rated Current [A]		1.1	1.7	2.8	2.8	4.5	5.7
Rated Speed [r/min]		3000	3000	3000	3000	3000	3000
Peak Torque [Nm]		0.96	1.92	3.81	3.81	7.2	9.6
Peak Current [A]		3.3	5.1	8.4	8.4	13.5	17.1
Max Speed [r/min]		6000	5000	5000	5000	4500	4500
Torque Const [Nm/A]		0.290	0.376	0.454	0.454	0.533	0.561
Voltage Const [V/krpm]		20.5	29.2	30.2	30.2	35.7	36.5
Resistance [Ω]		14.3	6.45	3.82	3.82	1.51	1.13
Inductance [mH]		14.8	11.5	12.6	12.6	8.2	6.2
Inertia [kgm ² *10 ⁻⁴]		0.046	0.22	0.32	0.67	1.53	1.77
Oil Seal		X	X	X	X	X	X
Encoder		17 bit Single-turn Incremental Encoder					
Structure		Totally Enclosed, Natural Cooling(IP rating: IP54)					
Mass (kg)	Standard	0.47	1.05	1.43	1.59	2.93	3.32
	With Brake	0.59	1.41	1.79	1.95	3.6	4.01
Length(mm)	Standard	79	86.5	127	134	142.2	139.5
	With Brake	109	118.5	159	166	175	172.5
Permissible Load for the Shaft	L [mm]	22.5	27	27	27	32	32
	Radial [N]	78	245	245	245	392	392
	Thrust [N]	54	74	74	74	147	147

• Dimensions

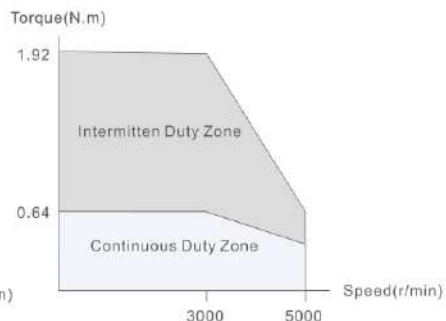


Motor Series	LC (mm)	LZ (mm)	LA (mm)	S (mm)	LB (mm)	LL (mm)	LR (mm)	LE (mm)	LG (mm)	LW (mm)	RH (mm)	W (mm)	T (mm)	TP (mm)
ELM0100FL40H-**	40	Φ4.5	46	Φ8	Φ30	79	25	2.5	5	15.5	6.2	3	3	M3 ^T 6
ELM0100FL40G-**	40	Φ4.5	46	Φ8	Φ30	109	25	2.5	5	15.5	6.2	3	3	M3 ^T 6
ELM0200FL60H-**	60	Φ5.5	70	Φ14	Φ50	86.5	30	3	7	16.5	11	5	5	M5 ^T 8
ELM0200FL60G-**	60	Φ5.5	70	Φ14	Φ50	118.5	30	3	7	16.5	11	5	5	M5 ^T 8
ELM0400FL60H-**	60	Φ5.5	70	Φ14	Φ50	115.5	30	3	7	16.5	11	5	5	M5 ^T 8
ELM0400FL60G-**	60	Φ5.5	70	Φ14	Φ50	147.5	30	3	7	16.5	11	5	5	M5 ^T 8
ELM0400FM60H-**	60	Φ5.5	70	Φ14	Φ50	115.5	30	3	7	16.5	11	5	5	M5 ^T 8
ELM0400FM60G-**	60	Φ5.5	70	Φ14	Φ50	147.5	30	3	7	16.5	11	5	5	M5 ^T 8
ELM0750FM80H-**	80	Φ7	90	Φ19	Φ70	124.5	35	3	8	25	15.5	6	6	M5 ^T 12
ELM0750FM80G-**	80	Φ7	90	Φ19	Φ70	157.3	35	3	8	25	15.5	6	6	M5 ^T 12
ELM1000FM80H-**	80	Φ6.5	90	Φ19	Φ70	139.5	35	3	8	25	15.5	6	6	M6 ^T 10
ELM1000FM80G-**	80	Φ6.5	90	Φ19	Φ70	172.3	35	3	8	25	15.5	6	6	M6 ^T 10

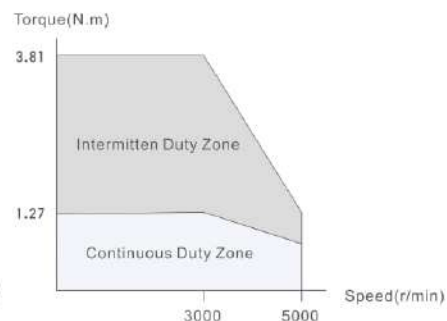
• Torque-Speed Curves



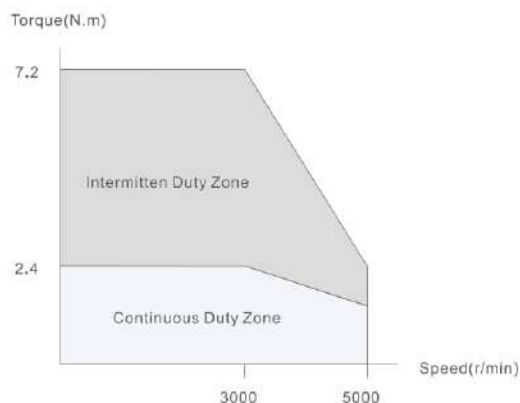
100W Motor



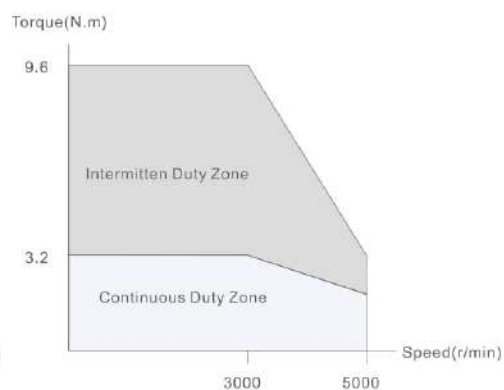
200W Motor



400W Motor



750W Motor



1000W Motor

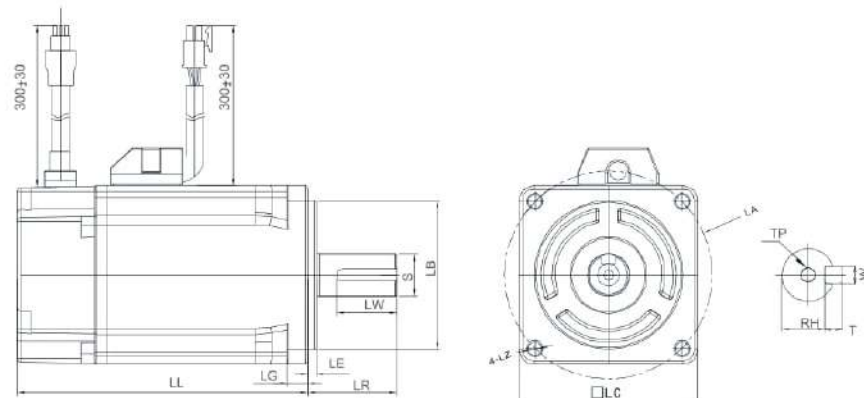
Servo Motors with 23-Bit Encoders

• Models

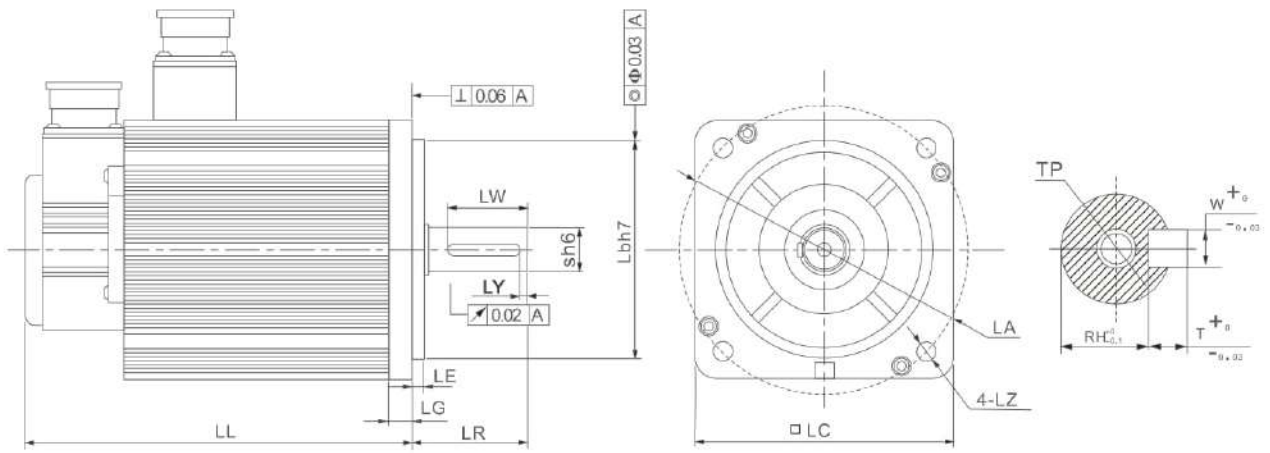
ELM Series		0100LL40F-**	0200LH60F-**	0400LH60F-**	0750LH80F-**
		0100LL40E-**	0200LH60E-**	0400LH60E-**	0750LH80E-**
Frame Size [mm]		40	60		80
Rated Power [w]		100	200	400	750
Voltage [VAC]		220			
Rated Torque [Nm]		0.32	0.64	1.27	2.4
Rated Current [A]		1.1	1.9	3.2	5.1
Rated Speed [r/min]		3000	3000	3000	3000
Peak Torque [Nm]		0.96	1.92	3.81	7.2
Peak Current [A]		3.3	5.7	9.6	15.3
Max Speed [r/min]		6500	6500	6500	6500
Torque Const [Nm/A]		0.290	0.337	0.397	0.471
Voltage Const [V/krpm]		14.8	21.8	22.6	28.8
Resistance [Ω]		12.4	6.3	2.64	1.00
Inductance [mH]		12.25	12.2	7.9	5.8
Inertia [$\text{kgm}^2 \cdot 10^{-4}$]		0.048	0.29	0.56	1.56
Oil seal		✓	✓	✓	✓
Encoder		23bit Multi-turn Incremental Encoder			
Structure		Totally Enclosed, Natural Cooling(IP Rating: IP65)			
Mass (kg)	Standard	0.48	0.8	1.2	2.2
	With Brake	0.75	1.3	1.6	2.93
Length(mm)	Standard	80.7	73.1	89.5	95.7
	With Brake	114.7	103.6	120.2	130.7
Permissible Load for the Shaft	L [mm]	22	27.2	27.2	32
	Radial [N]	68	245	245	392
	Thrust [N]	58	98	98	147

ELM Series	0850LH130F-HD	1000LM130F-H	1300LH130F-HD	1500LM130F-H	1800LH130F-HD	2000LM130F-H	
	0850LH130E-HD	1000LM130E-H	1300LH130E-HD	1500LM130E-H	1800LH130E-HD	2000LM130E-H	
Frame Size [mm]	130						
Rated Power [w]	850	1000	1300	1500	1800	2000	
Voltage [VAC]	220						
Rated Torque [Nm]	5.4	4	8.4	6	11.5	7.7	
Rated Current [A]	6.5	4	9.5	6	9	7.5	
Rated Speed [r/min]	1500	2500	1500	2500	1500	2500	
Peak Torque [Nm]	16.2	12	25.2	18	34.5	22	
Peak Current [A]	19.5	12	28.5	18	27	21	
Max Speed [r/min]	3000	3000	3000	3000	3000	3000	
Torque Const [Nm/A]	0.831	1000	0.884	1000	1.278	1.027	
Voltage Const [V/krpm]	62.23	72	60.1	65	87	68	
Resistance [Ω]	11	2.76	0.5	1.27	0.68	1.01	
Inductance [mH]	4.94	6.42	3.0	3.87	4.26	2.94	
Inertia [$\text{kgm}^2 \cdot 10^{-4}$]	13.8	8.5	20.59	12.6	30.15	15.3	
Oil Seal	✓	✓	✓	✓	✓	✓	
Encoder	23bit Multi-turn Absolute Encoder						
Structure	Totally Enclosed, Natural Cooling(IP rating: IP65)						
Mass (kg)	Standard	8	62	10.3	7.4	12.4	8.3
	With Brake	10	7.5	12.3	8.9	14.4	9.9
Length(mm)	Standard	145	166	165	179	192	241
	With Brake	172	223	192	236	219	249
Permissible Load for the Shaft	L [mm]	51	52	51	52	51	52
	Radial [N]	300	460	460	460	530	460
	Thrust [N]	147	202	202	202	270	202

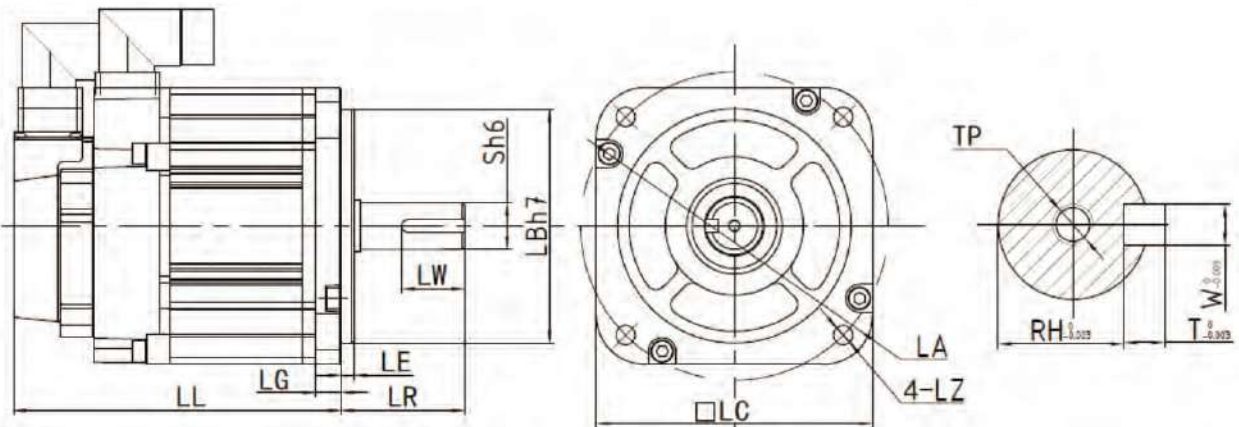
• Dimensions



Motor Series	LC (mm)	LZ (mm)	LA (mm)	S (mm)	LB (mm)	LL (mm)	LR (mm)	LE (mm)	LG (mm)	LW (mm)	RH (mm)	W (mm)	T (mm)	TP (mm)
ELM0100LL40F-**	40	$\Phi 4.5$	46	$\Phi 8$	$\Phi 30$	80.7	25	3	6.5	15.5	6.2	3	3	M3 ^T 6
ELM0100LL40E-**	40	$\Phi 4.5$	46	$\Phi 8$	$\Phi 30$	114.7	25	3	6.5	15.5	6.2	3	3	M3 ^T 6
ELM0200LH60F-**	60	$\Phi 5.5$	70	$\Phi 14$	$\Phi 50$	73.1	30	2.8	7	22.5	11	5	5	M5 ^T 10
ELM0200LH60E-**	60	$\Phi 5.5$	70	$\Phi 14$	$\Phi 50$	103.6	30	2.8	7	22.5	11	5	5	M5 ^T 10
ELM0400LH60F-**	60	$\Phi 5.5$	70	$\Phi 14$	$\Phi 50$	89.5	30	2.8	7	22.5	11	5	5	M5 ^T 10
ELM0400LH60E-**	60	$\Phi 5.5$	70	$\Phi 14$	$\Phi 50$	120.2	30	2.8	7	22.5	11	5	5	M5 ^T 10
ELM0750LH80F-**	80	$\Phi 7$	90	$\Phi 19$	$\Phi 70$	95.7	35	3	8.5	25	15.5	6	6	M5 ^T 12
ELM0750LH80E-**	80	$\Phi 7$	90	$\Phi 19$	$\Phi 70$	130.7	35	3	8.5	25	15.5	6	6	M5 ^T 12

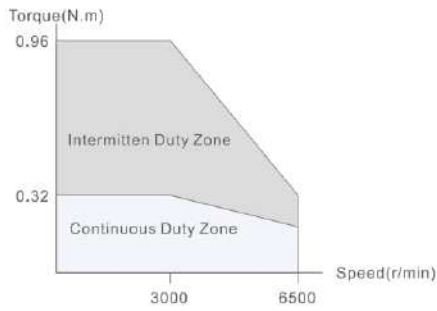


Motor Series	LC (mm)	LZ (mm)	LA (mm)	S (mm)	LB (mm)	LL (mm)	LR (mm)	LE (mm)	LG (mm)	LW (mm)	LY (mm)	RH (mm)	W (mm)	T (mm)	TP (mm)
ELM1000LM130F-H	130	Φ9	145	Φ22	Φ110	166	57	5	14	40	2.5	18.5	6	6	M6T20
ELM1000LM130E-H	130	Φ9	145	Φ22	Φ110	223	57	5	14	40	2.5	18.5	6	6	M6T20
ELM1500LM130F-H	130	Φ9	145	Φ22	Φ110	179	57	5	14	40	2.5	18.5	6	6	M6T20
ELM1500LM130E-H	130	Φ9	145	Φ22	Φ110	236	57	5	14	40	2.5	18.5	6	6	M6T20
ELM2000LM130F-H	130	Φ9	145	Φ22	Φ110	192	57	5	14	40	2.5	18.5	6	6	M6T20
ELM2000LM130E-H	130	Φ9	145	Φ22	Φ110	249	57	5	14	40	2.5	18.5	6	6	M6T20

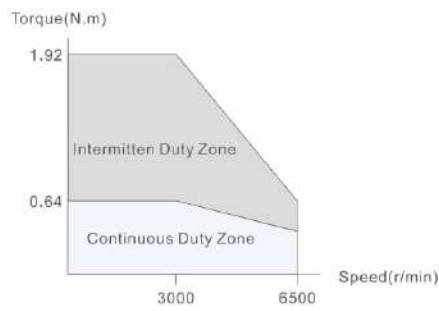


Motor Series	LC (mm)	LZ (mm)	LA (mm)	S (mm)	LB (mm)	LL (mm)	LR (mm)	LE (mm)	LG (mm)	LW (mm)	RH (mm)	W (mm)	T (mm)	TP (mm)
ELM0850LH130F-HD	130	Φ8.5	145	Φ19	Φ110	145	57	6	12	30	16	5	5	M5T12
ELM0850LH130E-HD	130	Φ8.5	145	Φ19	Φ110	172	57	6	12	30	16	5	5	M5T12
ELM1300LH130F-HD	130	Φ8.5	145	Φ22	Φ110	165	57	6	12	30	18.5	6	6	M5T12
ELM1300LH130E-HD	130	Φ8.5	145	Φ22	Φ110	192	57	6	12	30	18.5	6	6	M5T12
ELM1800LH130F-HD	130	Φ8.5	145	Φ24	Φ110	192	57	6	12	30	20.5	8	7	M5T12
ELM1800LH130E-HD	130	Φ8.5	145	Φ24	Φ110	219	57	6	12	30	20.5	8	7	M5T12

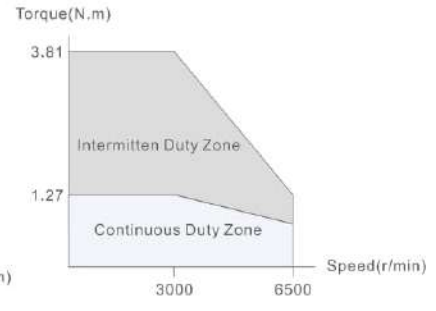
• Torque-Speed Curves



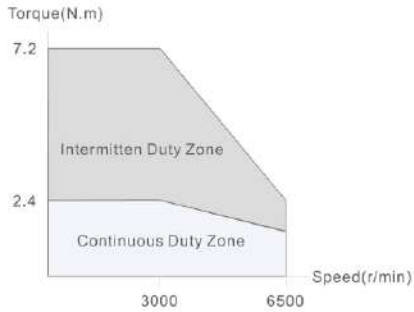
100W Motor



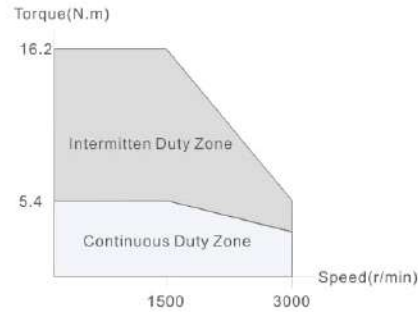
200W Motor



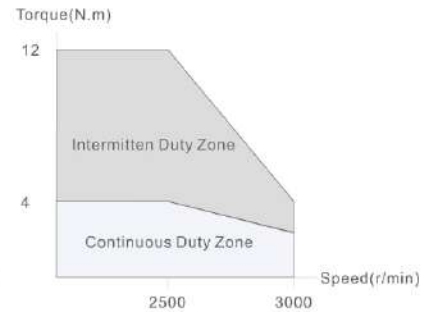
400W Motor



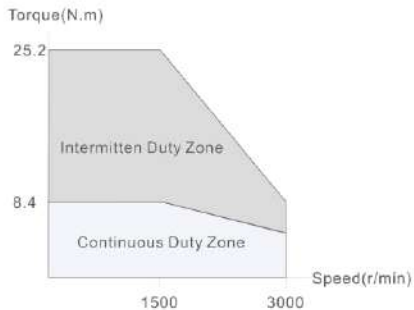
750W Motor



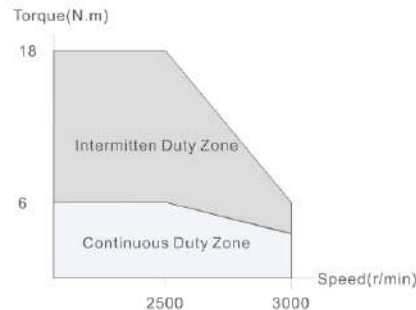
850W Motor



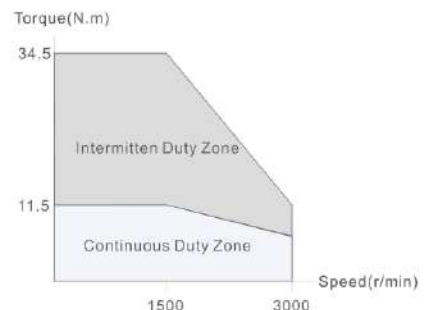
1000W Motor



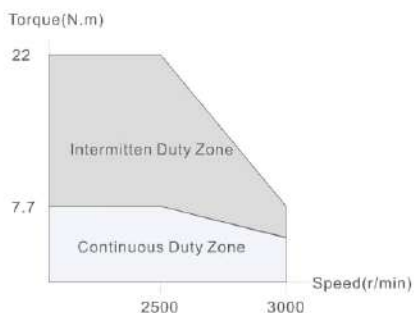
1300W Motor



1500W Motor



1800W Motor



2000W Motor

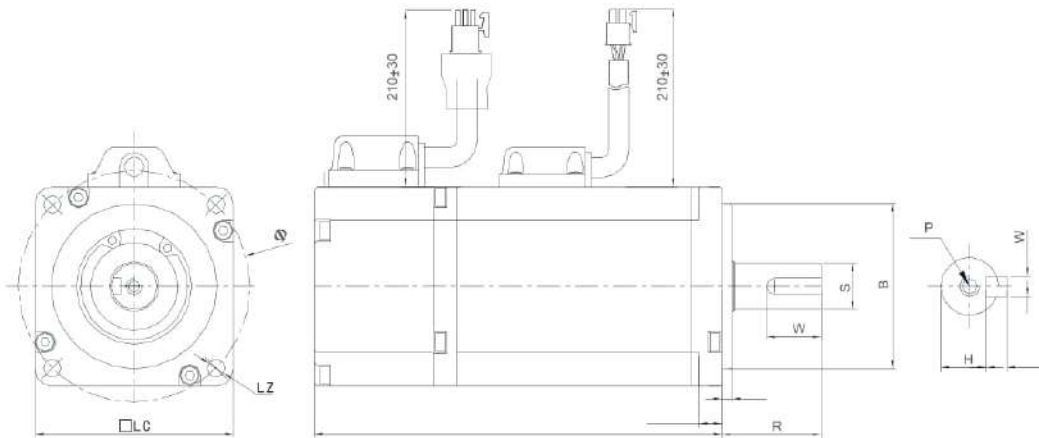
Servo Motors with 2500-Line Encoders

• Models

ELM Series	0100BL40H-**-	0200BL60H-**-	0400BL60H-**-	0400BM60H-**-	0750BM80H-**-		
	0100BL40G-**-	0200BL60G-**-	0400BL60G-**-	0400BM60G-**-	0750BM80G-**-	1000BM80G-**-	
Frame Size [mm]	40	60			80		
Rated Power [w]	100	200	400	400	750	1000	
Voltage [VAC]	220						
Rated Torque [Nm]	0.32	0.64	1.27	1.27	2.4	3.2	
Rated Current [A]	1.27	1.5	3.0	3.0	4.5	5.6	
Rated Speed [r/min]	3000	3000	3000	3000	3000	3000	
Peak Torque [Nm]	0.96	2.2	3.80	3.80	7.2	9.6	
Peak Current [A]	3.81	5.6	9.0	9.0	13.5	16.8	
Max Speed [r/min]	4500	5000	5000	6000	4500	4500	
Torque Const [Nm/A]	0.290	0.42	0.524	0.524	0.533	0.57	
Voltage Const [V/krpm]	18.3	28.1	31.7	31.7	37	38.7	
Resistance [Ω]	11.5	6.45	2.7	2.7	1.51	1.0	
Inductance [mH]	10.9	11.5	6	6	7.5	3.3	
Inertia [kgm ² *10 ⁻⁴]	0.046	0.21	0.42	0.67	1.5	2.3	
Oil Seal	X	X	X	X	X	X	
Encoder	2500 Lines Incremental Encoder						
Structure	Totally Enclosed, Natural Cooling(IP rating: IP54)						
Mass (kg)	Standard	0.4	1.2	1.6	1.8	3	
	With Brake	0.6	1.7	2.2	2.4	3.8	7.5
Length(mm)	Standard	102.5	96	125.6	134.6	142	
	With Brake	135.6	137	163.6	172.6	178	202
Permissible Load for the Shaft	L [mm]	22.5	27	27	27	37	32
	Radial [N]	100	200	200	200	200	200
	Thrust [N]	25	50	50	50	50	50

Notes: Motor with 1000 Lines can be customized, please contact tech@leadshine.com for more details.

• Dimensions



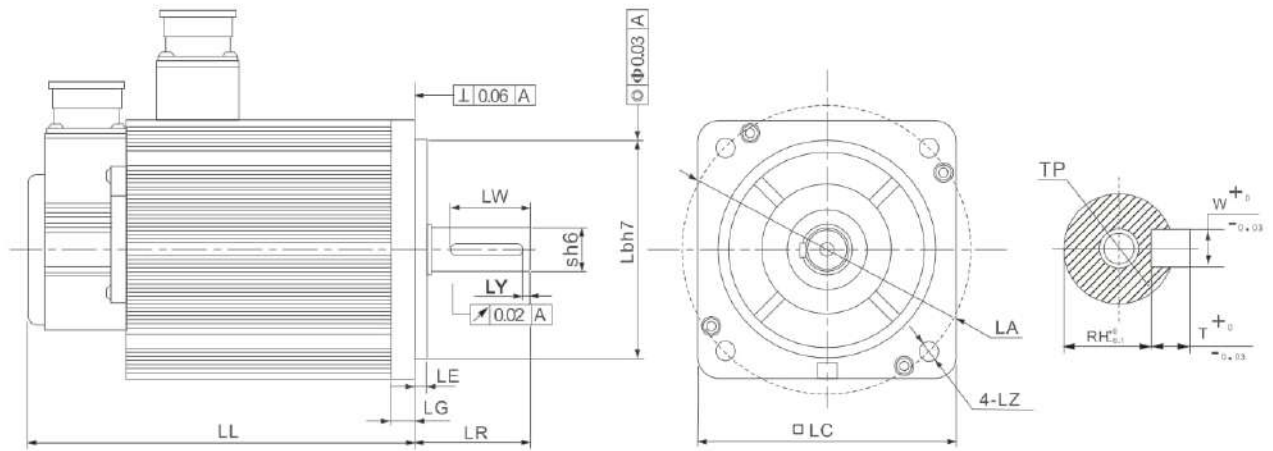
Motor Series	LC (mm)	LZ (mm)	LA (mm)	S (mm)	LB (mm)	LL (mm)	LR (mm)	LE (mm)	LG (mm)	LW (mm)	RH (mm)	W (mm)	T (mm)	TP (mm)
ELM0100BL40H-HS	40	Φ4.5	46	Φ8	Φ30	102.5	25	2.5	5	15.5	6.2	3	3	M3T6
ELM0100BL40G-HS	40	Φ4.5	46	Φ8	Φ30	135.6	25	2.5	5	15.5	6.2	3	3	M3T6
ELM0200BL60H-HS	60	Φ5.5	70	Φ14	Φ50	96	30	3	6.5	16.5	11	5	5	M5T10
ELM0200BL60G-HS	60	Φ5.5	70	Φ14	Φ50	137	30	3	6.5	16.5	11	5	5	M5T10
ELM0400BL60H-HS	60	Φ5.5	70	Φ14	Φ50	125.6	30	3	6.5	16.5	11	5	5	M5T10
ELM0400BL60G-HS	60	Φ5.5	70	Φ14	Φ50	163.6	30	3	6.5	16.5	11	5	5	M5T10
ELM0400BM60H-HS	60	Φ5.5	70	Φ14	Φ50	134.6	30	3	6.5	16.5	11	5	5	M5T10
ELM0400BM60G-HS	60	Φ5.5	70	Φ14	Φ50	172.6	30	3	6.5	16.5	11	5	5	M5T10
ELM0750BM80H-HS	80	Φ7	90	Φ19	Φ70	142	40	3	8	25	15.5	6	6	M6T10
ELM0750BM80G-HS	80	Φ7	90	Φ19	Φ70	178	40	3	8	25	15.5	6	6	M6T10
ELM1000BM80G-HS	80	Φ6.6	90	Φ19	Φ70	202	35	3	8	25	15.5	6	6	M6T10

• Models

ELM Series	1000BM130F-**	1200BM110F-**	1500BM110F-**	1500BM130F-**	1800BM110F-**	2000BM130F-**	2500BM130F-**	3000BM130F-**
	1000BM130E-**		1500BM110E-**	1500BM130E-**		2000BM130E-**	2500BM130E-**	3000BM130E-**
Frame Size [mm]	130	110	110	130	110	130	130	130
Rated Power [w]	1000	1200	1500	1500	1800	2000	2500	3000
Voltage [VAC]	220							
Rated Torque [Nm]	4	4	5	6	6	7.7	10	15
Rated Current [A]	4	5	6	6	6	7.5	10	13.5
Rated Speed [r/min]	2500	3000	3000	2500	3000	2500	2500	2500
Peak Torque [Nm]	12	12	15	18	18	22	25	30
Peak Current [A]	12	15	18	18	18	22.5	25	27
Max Speed [r/min]	3000	4500	4500	3000	4500	3000	3000	3000
Torque Const [Nm/A]	1.0	0.8	0.83	1.0	1.0	1.01	1.01	1.11
Voltage Const [V/krpm]	72	54	62	65	60	68	68	67
Resistance [Ω]	2.76	1.09	1.02	1.27	0.81	1.04	0.73	0.49
Inductance [mH]	6.42	3.3	3.43	3.87	2.59	2.94	2.45	1.68
Inertia [kgm ² *10 ⁻⁴]	8.5	5.4	6.3	12.6	7.6	15.3	19.4	27.7
Oil Seal	✓	✓	✓	✓	✓	✓	✓	✓
Encoder	2500 Lines Incremental Encoder							
Structure	Totally Enclosed, Natural Cooling(IP rating: IP65)							
Mass (kg)	Standard	6.2	6	6.8	7.4	12.4	8.3	11
	With Brake	7.5		8.3	8.9	14.4	9.9	13
Length (mm)	Standard	166	189	204	179	219	209	231
	With Brake	223		278	236		290	312
Permissible Load for the Shaft	L [mm]	52	55	55	52	50	52	55
	Radial [N]	900	600	600	900	600	900	900
	Thrust [N]	300	180	180	300	180	300	300

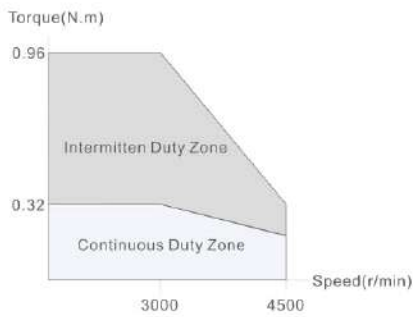
Notes: Motor with 1000 Lines can be customized, please contact tech@leadshine.com for more details.

• Dimensions

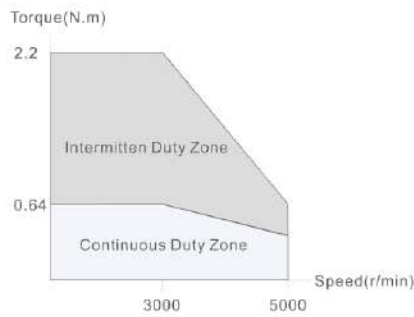


Motor Series	LC (mm)	LZ (mm)	LA (mm)	S (mm)	LB (mm)	LL (mm)	LR (mm)	LE (mm)	LG (mm)	LW (mm)	LY (mm)	RH (mm)	W (mm)	T (mm)	TP (mm)
ELM1000BM130F-H	130	Φ9	145	Φ22	Φ110	166	57	5	14	40	2.5	18.5	6	6	M6 ^T 22
ELM1000BM130E-H	130	Φ9	145	Φ22	Φ110	223	57	5	14	40	2.5	18.5	6	6	M6 ^T 22
ELM1200BM110F-H	110	Φ9	130	Φ19	Φ95	189	55	5	12	40	2.5	15.5	6	6	M6 ^T 22
ELM1500BM110F-H	110	Φ9	130	Φ19	Φ95	204	55	5	12	40	2.5	15.5	6	6	M6 ^T 22
ELM1500BM110E-H	110	Φ9	130	Φ19	Φ95	278	55	5	12	40	2.5	15.5	6	6	M6 ^T 22
ELM1500BM130F-H	130	Φ9	145	Φ22	Φ110	179	57	5	14	40	2.5	18.5	6	6	M6 ^T 22
ELM1500BM130E-H	130	Φ9	145	Φ22	Φ110	236	57	5	14	40	2.5	18.5	6	6	M6 ^T 22
ELM1800BM110F-H	110	Φ9	130	Φ19	Φ95	219	55	5	12	40	2.5	15.5	6	6	M6 ^T 22
ELM2000BM130F-H	130	Φ9	145	Φ22	Φ110	179	57	5	14	40	2.5	18.5	6	6	M6 ^T 22
ELM2000BM130E-H	130	Φ9	145	Φ22	Φ110	249	57	5	14	40	2.5	18.5	6	6	M6 ^T 22
ELM2500BM130F-H	130	Φ9	145	Φ22	Φ110	209	57	5	14	40	2.5	18.5	6	6	M6 ^T 22
ELM2500BM130E-H	130	Φ9	145	Φ22	Φ110	290	57	5	14	40	2.5	18.5	6	6	M6 ^T 22
ELM3000BM130F-H	130	Φ9	145	Φ22	Φ110	230	57	5	14	40	2.5	18.5	6	6	M6 ^T 22
ELM3000BM130E-H	130	Φ9	145	Φ22	Φ110	312	57	5	14	40	2.5	18.5	6	6	M6 ^T 22

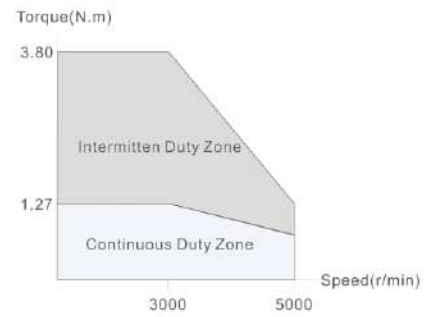
• Torque-Speed Curves



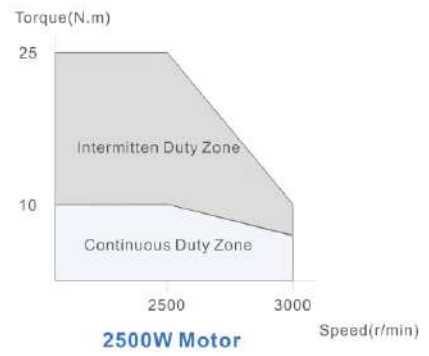
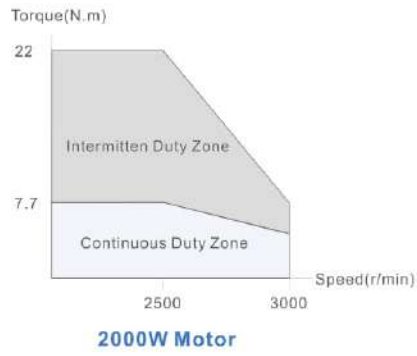
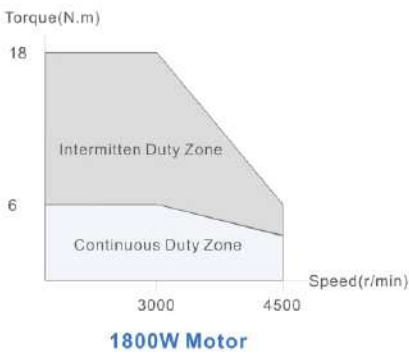
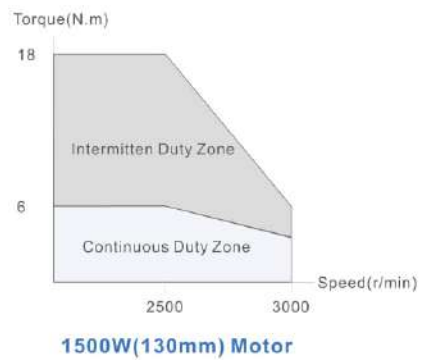
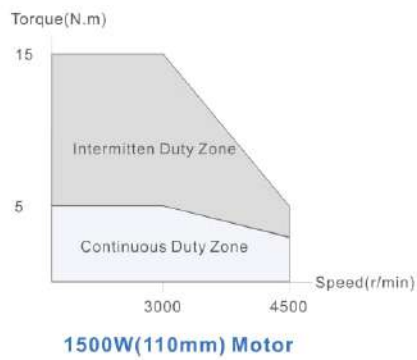
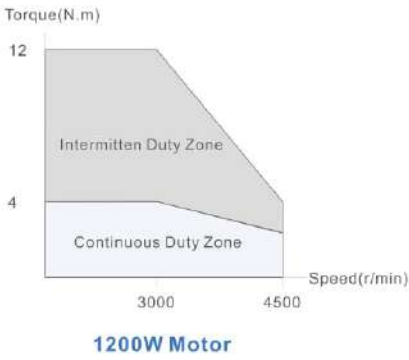
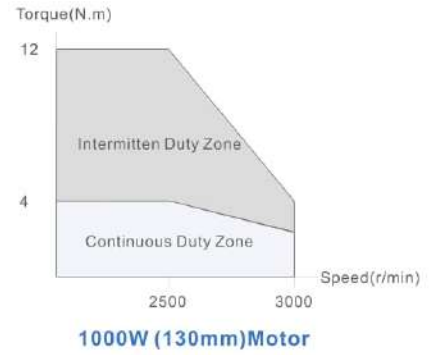
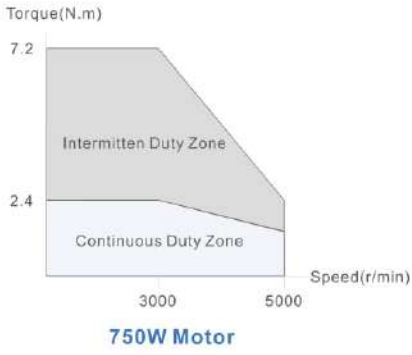
100W Motor



200W Motor



400W Motor



Accessories

Each servo drive comes with:

- (1) Power Connector
- (2) 44-Pin Signal Connector
- (3) Press Rod



• Extension Cables

Power Cable

- Length options: 1.5M, 3M, 5M, 7M, 10M, 13M
- Connector options: Plastic plug Optional: Injection plug



Encoder Cable

- Length options: 1.5M, 3M, 5M, 7M, 10M, 13M
- Connector options: Plastic plug Optional: Injection plug



Brake Cable

- Length options: 1.5M, 3M, 5M, 7M, 10M, 13M
- Connector options: Plastic plug Optional: Injection plug



Tuning Cable

- Connect the drive to computer
- The interface standard is USB
- Mode: CABLE-USB1M5



RS485/EtherCAT Communication Cable

- Model: CABLE-TX0M2-BUS
- Length options: 1.5M, 3M, 5M, 7M, 10M, 13M



■ Cable Details

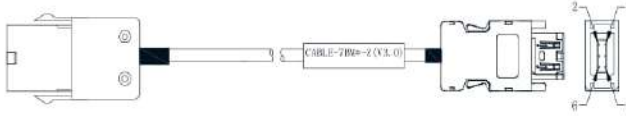
Cables for motors of 80mm frame size and below

- (1) CABLE-RZ*M*-S1(V3.0) Power Cable



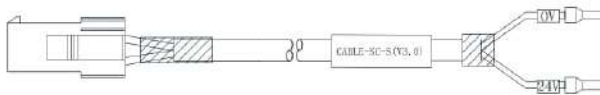
Accessories Details				
Part No.	Model No.	Mount	Components	Notes
11600371	4pin 172159-1 LS-17215901-AMP RoHS	1	4 Plastic Shell	
11600353	170362-1 RoHS AMP	4	4 Pin Needle	

(2) CABLE-7BM*M*-Z(V3.0) Encoder Cable



Accessories Details				
Part No.	Model No.	Mount	Components	Notes
11600372	9pin 172161-1 LS-17216101-AMP RoHS	1	9 Pin Plastic Shell	
11600354	170361-1 RoHS AMP	5	9 Pin Needle	
11600383	SC-06 SC-06 RoHS	1	Encoder-Drive(Connector)	

(3) CABLE-SC*M*-S1(V3.0) Brake Cable



Accessories Details				
Part No.	Model No.	Mount	Components	Notes
11600369	2pin 172157-1 LS-17215701-AMP RoHS	1	2 Pin Plastic Shell	Only optional for motor with brake
11600353	170362-1 RoHS AMP	2	2 Pin Needle	Only optional for motor with brake

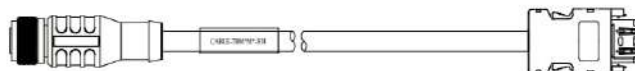
Injection plug cables for motor of 80mm frame size and below

(1) CABLE-RZ*M*-HH1 Power Cable



Accessories Details				
Part No.	Model No.	Mount	Components	Notes
	PK-EK5-0.3M	1	Injection Plug	

(2) CABLE-7BM*M*-HH Encoder Cable



Accessories Details				
Part No.	Model No.	Mount	Components	Notes
	EK5-*M/T797	1	Injection Plug	
11600383	SC-06 RoHS	1	Encoder-Drive(Connector)	

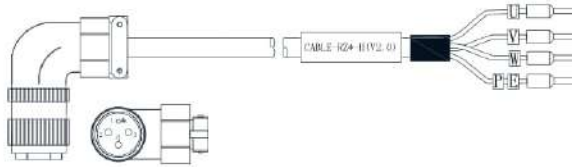
(3) CABLE-SC*M*-HH Brake Cable



Part No.	Model No.	Mount	Components	Notes
	EZ4.2-*M/T797-01	1	Injection Plug	

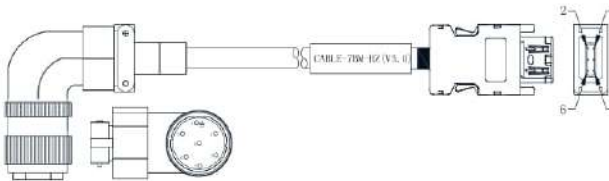
Accessories of Motor with 130mm Size

(1) CABLE-RZ*M*-H(V2.0) Power Cable



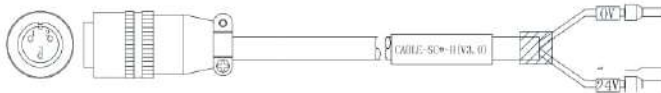
Part No.	Model No.	Mount	Components	Notes
11600072	4P OD: 9.5mm RoHS MG	1	Aviation Plug	

(2) CABLE-7BM*M*-HZ(V3.0) Encoder Cable



Part No.	Model No.	Mount	Components	Notes
11600383	SC-06 SC-06 RoHS	1	Encoder - Drive(connector)	
11600076	OD: 6.5mm RoHS MG	1	Aviation Plug	

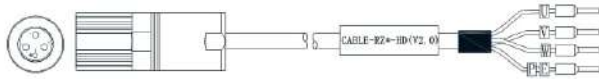
(3) CABLE-SC*M*-H(V3.0) Brake Cable



Part No.	Model No.	Mount	Components	Notes
11600070	3 PIN RoHS	1	Aviation Plug	Only optional for motor with brake

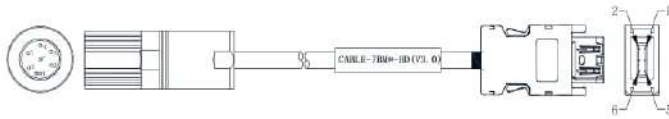
Accessories of Motor with 130mm Size for Engraving Machine

(1) CABLE-RZ*M*-HD(V2.0) Power Cable



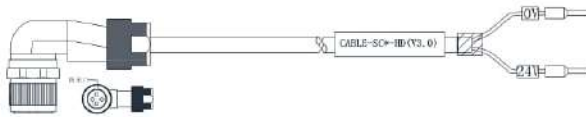
Part No.	Model No.	Mount	Components	Notes
11600077	4pin RoHS HD	1	Aviation Plug	

(2) CABLE-7BM*M*-HD(V3.0) Encoder Cable



Part No.	Model No.	Mount	Components	Notes
11600079	7pin RoHS HD	1	Aviation Plug	
11600383	SC-06 SC-06 RoHS	1	Encoder - Drive(connector)	

(3) CABLE-SC*M*-HD(V3.0) Brake Cable



Part No.	Model No.	Mount	Components	Notes
11600078	2pin RoHS HD	1	Aviation Plug	Only optional for motor with brake

Ordering Information

• Servo Motors with 17-Bit Encoders

Frame (mm)	NO.	Length (mm)	Diameter (mm)	Servo Drive	Power Cable	Encoder Cable	Brake Cable		
40	ELM0100FL40H-SS	79	Φ8	ELP-D400Z ELP-RS400Z ELP-EC400Z	CABLE-RZ*M*-S1	CABLE-7BM*M*-Z			
	ELM0100FL40G-SS	109					CABLE-SC*M*-S		
60	ELM0200FL60H-SS	86.5	Φ14						
	ELM0200FL60G-SS	118.5						CABLE-SC*M*-S	
	ELM0400FL60H-SS	115.5							
	ELM0400FL60G-SS	147.5						CABLE-SC*M*-S	
	ELM0400FM60H-SS	115.5							
	ELM0400FM60G-SS	147.5					CABLE-SC*M*-S		
80	ELM0750FM80H-SS	124.5	Φ19		ELP-D750Z ELP-RS750Z ELP-EC750Z		CABLE-RZ*M*-S		
	ELM0750FM80G-SS	157.3						CABLE-SC*M*-S	
	ELM1000FM80H-SS	139.5			ELP-D1000Z ELP-RS1000Z ELP-EC1000Z				
	ELM1000FM80G-SS	172.3						CABLE-SC*M*-S	

Frame (mm)	NO.	Length (mm)	Diameter (mm)	Servo Drive	Power Cable	Encoder Cable	Brake Cable		
40	ELM0100FL40H-HH	79	Φ8	ELP-D400Z ELP-RS400Z ELP-EC400Z	CABLE-RZ*M*-HH1	CABLE-7BM*M*-HH			
	ELM0100FL40G-HH	109					CABLE-SC*M*-HH		
60	ELM0200FL60H-HH	86.5	Φ14						
	ELM0200FL60G-HH	118.5						CABLE-SC*M*-HH	
	ELM0400FL60H-HH	115.5							
	ELM0400FL60G-HH	147.5						CABLE-SC*M*-HH	
	ELM0400FM60H-HH	115.5							
	ELM0400FM60G-HH	147.5						CABLE-SC*M*-HH	
80	ELM0750FM80H-HH	124.5	Φ19				ELP-D750Z ELP-RS750Z ELP-EC750Z		
	ELM0750FM80G-HH	157.3						CABLE-SC*M*-HH	
	ELM1000FM80H-HH	139.5					ELP-D1000Z ELP-RS1000Z ELP-EC1000Z		
	ELM1000FM80G-HH	172.3						CABLE-SC*M*-HH	

• Servo Motors with 23-Bit Encoders

Frame (mm)	NO.	Length (mm)	Diameter (mm)	Servo Drive	Power Cable	Encoder Cable	Brake Cable			
40	ELM0100LL40F-SS	80.7	Φ8	ELP-D400Z ELP-RS400Z ELP-EC400Z	CABLE-RZ*M*-S1	CABLE-7BM*M*-Z CABLE-7BMA*M*-Z (23bit Multi-turn absolute encoder)				
	ELM0100LL40E-SS	114.7					CABLE-SC*M*-S			
60	ELM0200LH60F-SS	73.1	Φ14							CABLE-SC*M*-S
	ELM0200LH60E-SS	103.6								CABLE-SC*M*-S
	ELM0400LH60F-SS	89.5								
	ELM0400LH60E-SS	120.2								CABLE-SC*M*-S
80	ELM0750LH80F-SS	95.7	Φ19	ELP-D750Z ELP-RS750Z ELP-EC750Z	CABLE-RZ*M*-S					
	ELM0750LH80E-SS	130.7					CABLE-SC*M*-S			

Frame (mm)	NO.	Length (mm)	Diameter (mm)	Servo Drive	Power Cable	Encoder Cable	Brake Cable			
40	ELM0100LL40F-HH	80.7	Φ8	ELP-D400Z ELP-RS400Z ELP-EC400Z	CABLE-RZ*M*-HH1	CABLE-7BM*M*-HH				
	ELM0100LL40E-HH	114.7					CABLE-SC*M*-HH			
60	ELM0200LH60F-HH	73.1	Φ14							CABLE-SC*M*-HH
	ELM0200LH60E-HH	103.6								
	ELM0400LH60F-HH	89.5								CABLE-SC*M*-HH
	ELM0400LH60E-HH	120.2								
80	ELM0750LH80F-HH	95.7	Φ19	ELP-D750Z ELP-RS750Z ELP-EC750Z						
	ELM0750LH80E-HH	130.7					CABLE-SC*M*-HH			

Frame (mm)	NO.	Length (mm)	Diameter (mm)	Servo Drive	Power Cable	Encoder Cable	Brake Cable	
130	ELM1000LM130F-H	166	Φ22	ELP-D1000Z ELP-RS1000Z ELP-EC1000Z	CABLE-RZ*M*-H (V1.1)	CABLE-7BM*M*-HZ		
	ELM1000LM130E-H	223						CABLE-SC*M*-H
	ELM1500LM130F-H	179					ELP-D1500Z ELP-RS1500Z ELP-EC1500Z	
	ELM1500LM130E-H	236						
	ELM2000LM130F-H	192		ELP-D2000Z ELP-RS2000Z ELP-EC2000Z	CABLE-RZ*M*-H (V2.0) (flexible)			
	ELM2000LM130E-H	249						CABLE-SC*M*-H

Frame (mm)	NO.	Length (mm)	Diameter (mm)	Servo Drive	Power Cable	Encoder Cable	Brake Cable		
130	ELM0850LH130F-HD	145	Φ19	ELP-D1000Z ELP-RS1000Z ELP-EC1000Z	CABLE-RZ*M*-HD (V2.0)	CABLE-7BM*M*-HD (V3.0)			
	ELM0850LH130E-HD	172	Φ19					CABLE-SC*M*-HD	
	ELM1300LH130F-HD	165	Φ22	ELP-D1500Z ELP-RS1500Z ELP-EC1500Z					CABLE-SC*M*-HD
	ELM1300LH130E-HD	192	Φ22						
	ELM1800LH130F-HD	192	Φ24	ELP-D2000Z ELP-RS2000Z ELP-EC2000Z					
	ELM1800LH130E-HD	219	Φ24						CABLE-SC*M*-HD

ELD Series Brushless Servo Drives

- ELD2 Series Brushless Servo Drives
- ELD5 Series Brushless Servo Drives



ELD2 Series Brushless Servo Drives

ELD2 series brushless servo drives, power range from 25W to 1200W, are special DC input, motion control product designed for machines and applications that request a best balance between reasonable cost and outstanding performance with MFC/vibration suppression.

- Voltage : 24-70Vdc
- Power range : 0.25 - 1.2kw
- Up to 90Amp peak current
- Compact size
- Pulse+Direction, analog input
- Modbus,CANopen

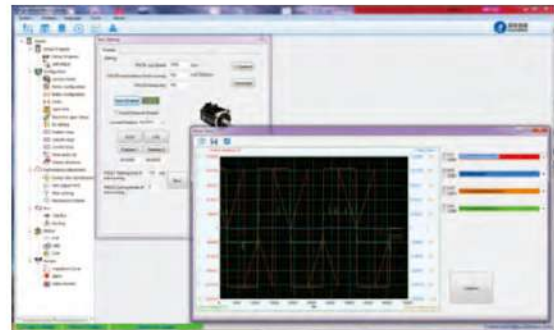


Easy Tuning

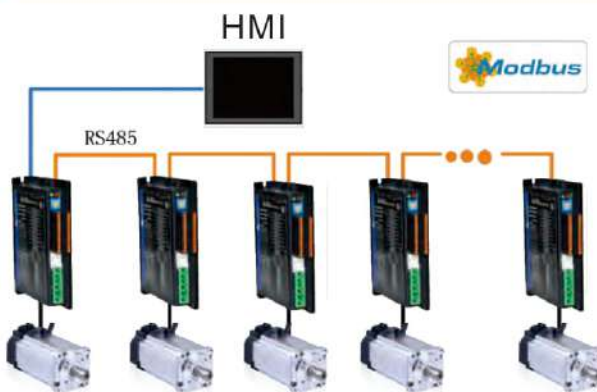


Motion Studio

- Convenient GUI user interface
- Easy Tuning
- Real-time motion state monitoring
- Error history and resolution guide



Supported Network



Part Numbers

ELD2 - RS 400

Series Num	
ELD2	New series servo drive

Command Source	
CAN	CANopen /Analog Input
RS	RS 485 (Pulse+Dir/Analog Input/Modbus)

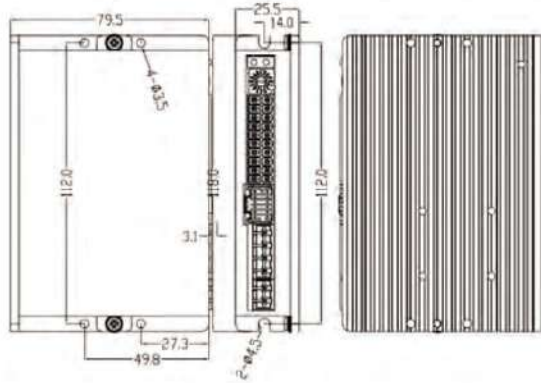
Power	
400	400W
7010	400W
7020	750W
7030	1200W

Specifications

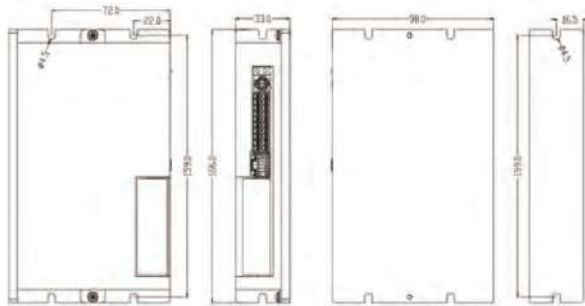
Power & Environment				
Driver Model	ELD2-RS400	ELD2-RS7010 ELD2-CAN7010	ELD2-RS7020 ELD2-CAN7020	ELD2-RS7030 ELD2-CAN7030
Size(mm)	118*75.5*25.5	118*75.5*25.5	159*98*33	159*98*33
Rated Power (kw)	0.4	0.4	0.75	1.2
Rated Output Current (A)	10	10	20	30
Max Output Current (A)	30	30	60	90
Main Power	Voltage (V)	DC24-70	DC24-70	DC24-70
	Current (A)	48-60 Vdc: 7Arms 60-70Vdc: 6Arms	48-60 Vdc: 7Arms 60-70Vdc: 6Arms	48-60Vdc: 14Arms 60-70Vdc: 12Arms
Control Method	IGBT PWM Sinusoidal Wave Drive			
Overload	300%			
Brake Resistor	Rexternal Connection			
Communication Interface	RS485, CAN			
Protection Rank	IP20			
CANopen Specifications				
Link Layer Protocol	CAN Field-bus			
Application Layer Protocol	CANopen protocol			
CAN-ID Type	CAN 2.0A			
Communication Rate	1Mbit/s, 500Kbit/s, 250Kbit/s, 125Kbit/s, 100Kbit/s, 50Kbit/s, 20Kbit/s			
Sub-protocol	DS 301 V4.02: CANopen application layer protocol and communication protocol DSP 402 V2.0: Device profile for drives and motion control			
CANopen Length	0 - 8bit			
Support Service	NMT: Network Management Service SDO: Service Data Objects PDO: Process Data Object Devices Monitor: Node protection and heartbeat message SYNC: Synchronous generator and synchronous detection, applied to the PDO transmission EMCY: Emergency object Services			
PDO Transmission Modes	Time trigger, event trigger, asynchronization/synchronization trigger(configurable)			
PDO Number	4 TPDOs, 4 RPDOs			
Control Modes	PP (Profile Position) PV (Profile Velocity) PT (Profile Torque) HM (Homing)			
Communication & Connection				
Pulse Input	2 fast pulse input, 5V-24v only		2 fast pulse input, 5V-24v only	
Pulse Encoder Output	5V differential outputs, A/B/Z phase (optional frequency divider)		5V differential outputs, A/B/Z phase (optional frequency divider)	
Digital Input/Output	7 programmable OC inputs, 3 programmable OC inputs 2 programmable differential output		4 programmable OC inputs, 2 programmable differential output	
Analog Input	1 analog input: -10V to +10V		1 analog input: -10V to +10V	
Feedback Supported	1000line, 2500line incremental encoder		1000line, 2500line incremental encoder	
Matched Motors				
Motor Model	BLM Series / ACM Series			
Power Range	25W - 1200W			
Voltage Range	24 - 70Vdc			
Encoder Type	1000-line, 2500-line			
Motor Size	40mm, 42mm, 60mm, 80mm, 130mm Frame			
Other Requirements	Brake. oil-seal. protection level. shaft & connector can be customized			

Mechanical Specifications

- ELD2-**400/ELD2-**7010



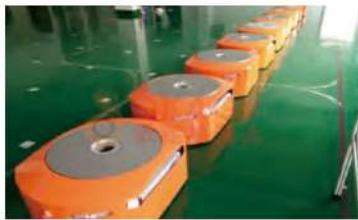
- ELD2-**7020/ELD2-**7030



Typical Applications



Delivery Automation



AGV



Electronic Manufacturing



Corrugated Paper Machine



Armarium

ELD5 Series Brushless Servo Drives

ELD5 series brushless servo drives are special motion control product designed for machines and applications that request a best balance between outstanding performance and reasonable cost.

Combined with abundant features like MFC, vibration suppression, multi-mode filter function etc. It provide machines a compact size, low tuning works, but high resolution encoder up to 23 bits, an unique servo system.

- Easy tuning
- Automatic motor identification
- Model following control
- Notch filter, damping filter
- RS485/Modbus
- Up to 30 types motor supported



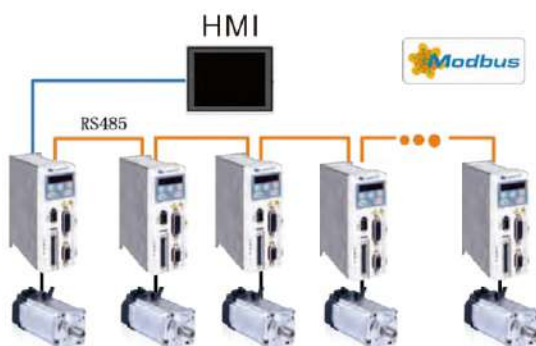
Control Types

- Pulse+Direction(for position control)
 - Analog input(for velocity/torque control)
 - Modbus based on Rs485
 - CANopen
 - Built-in indexer
- Programmable 16-segment position table, support positioning/homing/limit/quick stop/ JOG...

Inputs/Outputs

- 2 fast pulse input, 5V only
- 7 programmable OC inputs, 24V
- 2 programmable differential outputs
- 3 programmable OC outputs, 24V
- 1 analog output: -10V to +10V(Optional)

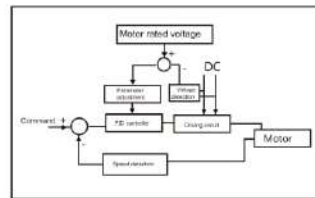
Communication Network



Enhanced Features

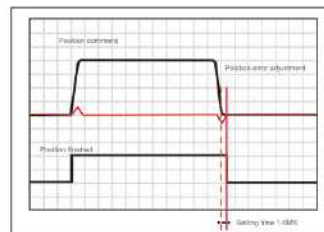
Self-adaption for voltage input

The performance of current loop can be self-adapted with different voltage input and maintain the best performance



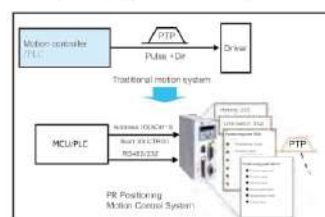
Fast response

Frequency of velocity response can up to 1.2KHz
Advanced feed-forward algorithm fasten the response
frequency cut down setting time



More intelligent saving controller

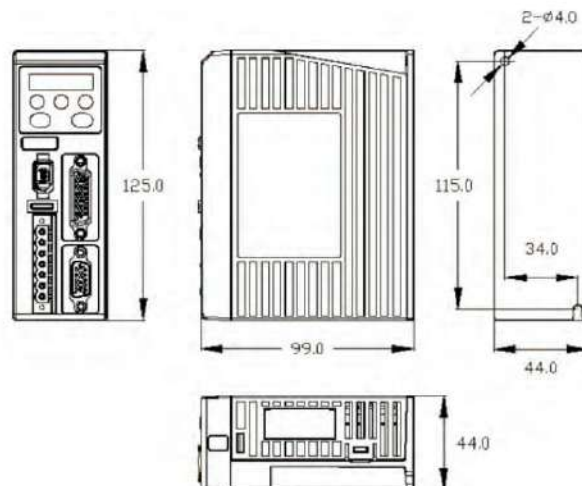
Position programmable mode with IO trigger/ RS485 trigger
Position/velocity/torque mode, and can be switched in different mode
16 programmable paths for choosing with IO trigger, 35 kinds of homing mode (for single-axis robot, electric-cylinder)



Specifications

Power & Environment	
Driver model	ELD5-400 / ELD5-400Z / ELD5-750 / ELD5-750Z
Size(mm)	125*99*44
Rated power (kw)	0.4/0.75
Rated output current (A)	10Arms
	48-60Vdc: 7Arms/60-70Vdc: 6Arms
Rated output current (A)	20Arms
	48-60Vdc: 14Arms/60-70Vdc: 12Arms
Max output current (A)	30/50
Main power	Voltage (V)
	DC24-70
Main power	Current (A)
	10/20
Control power	Voltage (V)
	DC12-24
Control power	Current (A)
	≥12mA
Control method	IGBT PWM Sinusoidal Wave Drive
Overload	300%
Brake resistor	External connection
Communication interface	RS-232, RS485, Modbus
Protection rank	IP20
Communication & Connection	
USB	Mini USB
Pulse input	2 fast pulse inputs, 5V-24v all compatible
Pulse encoder output	5V differential outputs, A/B/Z phase (optional frequency divider)
Digital input/output	4 programmable OC outputs, 5 programmable common-anode
Analog input	1 analog output: -10V to +10V
Feedback Supported	1000, 2500line incremental encoder(ELD5-400 / ELD5-750)
	serial encoder(ELD5-400Z / ELD5-750Z)
Matched Motors	
Power Range	50W - 750W
Voltage Range	24V - 70V
Encoder Type	1000-line, 2500-line, 17bit
Motor Size	40mm, 42mm, 57mm, 60mm, 80mm Frame
Other Requirements	Brake, oil-seal, protection level, shaft & connector can be customized

Mechanical Specifications



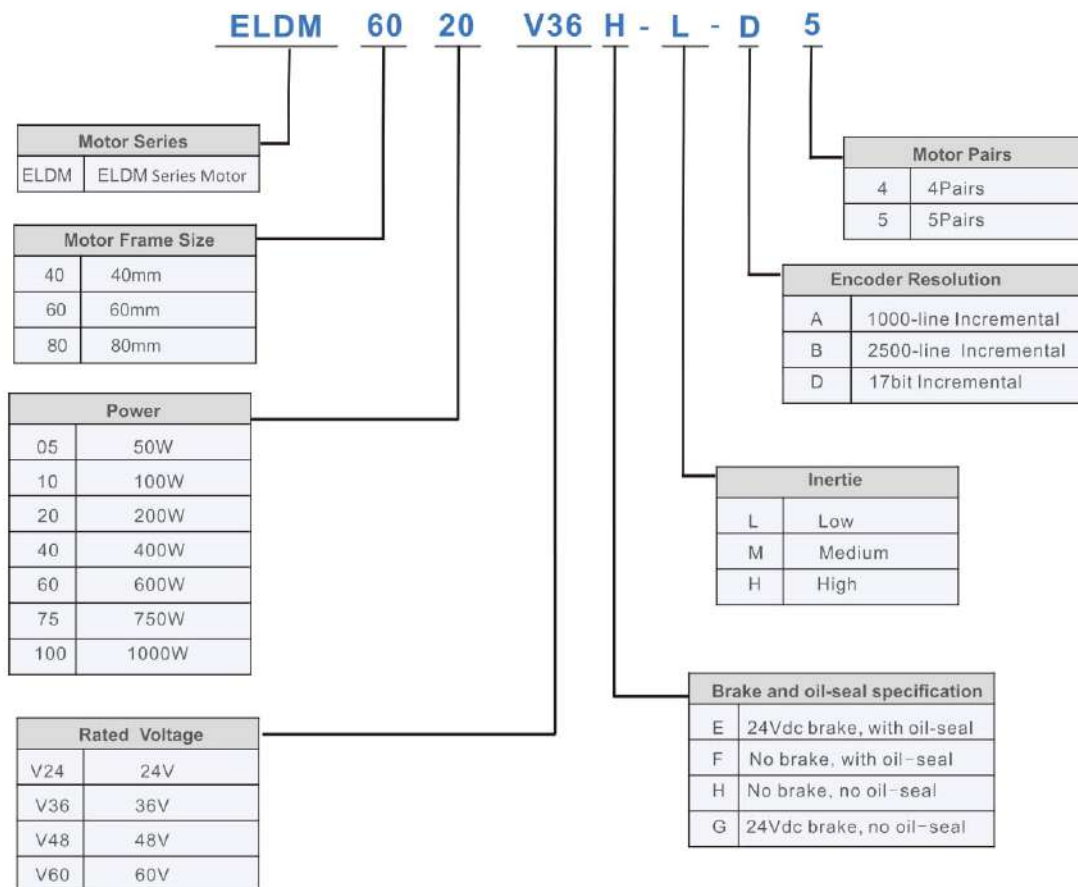
ELDM Series Brushless Servo Motors

- Power range: 50w - 1000w
- Frame size: 40mm,60mm,80mm;
- Voltage range: 24 - 60Vdc
- Feedback: 1000line/2500line/17-Bit incremental encoder



ELDM series brushless servo motors offer high performance with modes ranging from 50w to 750w. Mounting is compatible with most AC servo motors on the market. Standard models come with a 1000line/2500line/17-Bit incremental encoder, When driven by ELD2/ELD5/ELD5Z series servo drives, ELDM series motors meet normal and high accuracy application requirement.

Part Numbers



Servo Motors with 1000/2500 Line/17-Bit Encoders

• Models

ELDM Series	4010V24HL-**	6020V24HL-**	6020V36HL-**	6040V48HL-**	6040V60HL-**	6060V48HL-**	6060V60HL-**	
	4010V24GL-**	6020V24GL-**	6020V36GL-**	6040V48GL-**	6040V60GL-**	6060V48GL-**	6060V60GL-**	
Frame Size [mm]	40	60						
Rated Power [w]	100	200	200	400	400	600	600	
Voltage [VAC]	24	24	26	48	60	48	60	
Rated Torque [Nm]	0.32	0.64	0.64	1.27	1.27	1.9	1.9	
Rated Current [A]	5.8	11	7	10	9	15.1	10.6	
Rated Speed [r/min]	3000	3000	3000	3000	3000	3000	3000	
Peak Torque [Nm]	0.96	0.96	1.92	3.81	3.81	5.7	5.7	
Peak Current [A]	17.4	33	21	31	27	45.3	33.5	
Max Speed [r/min]	4000	4000	4000	4000	4000	4000	4000	
Torque Const [Nm/A]	0.055	0.058	0.091	0.127	0.141	0.126	0.18	
Voltage Const [V/krpm]	3.6	3.9	6.19	7.68	9.73	8.3	11.8	
Resistance [Ω]	0.5	0.2	0.39	0.27	0.34	0.16	0.29	
Inductance [mH]	0.5	0.23	0.55	0.35	0.6	0.26	0.52	
Inertia [kgm ² *10 ⁻⁴]	0.11	0.21	0.21	0.42	0.42	0.67	0.67	
Oil Seal	X	X	X	X	X	X	X	
Encoder	1000/2500 Lines/17-Bit Incremental Encoder							
Structure	Totally Enclosed, Natural Cooling(IP rating: IP54)							
Mass (kg)	Standard	0.47	1.05	1.05	1.43	1.43	1.83	1.83
	With Brake	0.59	1.41	1.41	1.79	1.79	2.79	2.79
Length (mm)	Standard	85	92	92	116	116	136	136
	With Brake	115	131	121.8	155	155	175	175
Permissible Load for the Shaft	L [mm]	22.5	27	27	27	27	27	27
	Radial [N]	78	245	245	245	245	245	245
	Thrust [N]	54	74	74	74	74	74	74

The pin assignment of 1000 line encoder

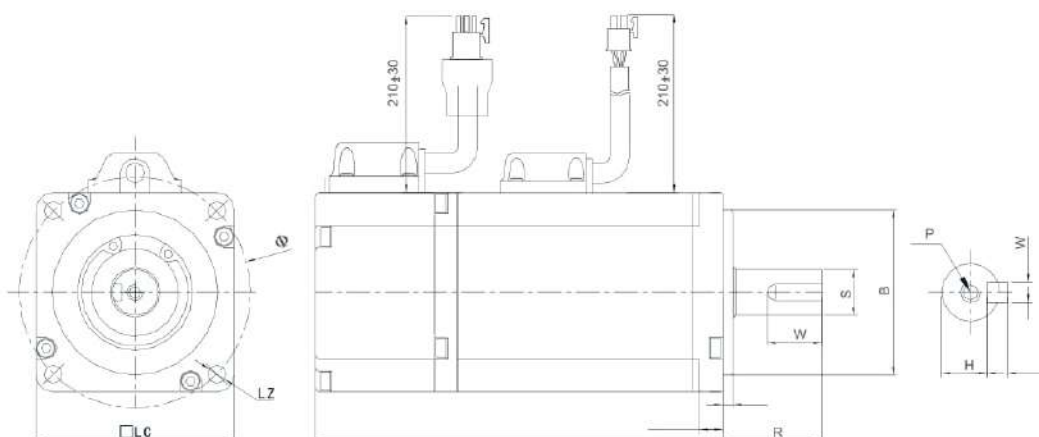
Pin	Name	Pin	Name
6	PE	2	EB+
13	+5V	12	EB-
3	GND	5	HU
1	EA+	4	HV
11	EA-	9	HW

The pin assignment of 2500 line encoder

Pin	Name	Pin	Name
1	PE	5	Z-
2	+5V	6	HU+
3	GND	8	HU-
9	EA+	10	HV+
13	EA-	12	HV-
4	EB+	11	HW+
14	EB-	15	HW-
7	Z+		

ELDM Series	8075V48HM-**	8075V60HM-**	80100V48HM-**	6005V24HM-A5-600		8006V24HM-A5-150
	8075V48GM-**	8075V60GM-**	80100V48GM-**		6013V24GM-A5	8006V24GM-A5-150
Frame Size [mm]	80			60		80
Rated Power [w]	750	750	1000	50	125	55
Voltage [VAC]	48	60	48	24	24	24
Rated Torque [Nm]	2.39	2.39	3.2	0.8	0.4	1.9
Rated Current [A]	19	13	28	11	9	15.1
Rated Speed [r/min]	3000	3000	3000	600	3000	3000
Peak Torque [Nm]	7.17	7.17	9.6	2.4	1.2	5.7
Peak Current [A]	57	39	86	35	28.5	45.3
Max Speed [r/min]	4000	4000	4000	1200	5000	300
Torque Const [Nm/A]	0.13	0.18	0.11	0.07	0.044	0.126
Voltage Const [V/krpm]	8.7	12.5	7.7	5	3.2	8.3
Resistance [Ω]	0.09	0.2	0.06	0.2	0.09	0.16
Inductance [mH]	0.31	0.7	0.17	0.3	0.23	0.26
Inertia [kgm ² *10 ⁻⁴]	1.5	1.5	2.2	0.27	0.15	0.67
Oil Seal	X	X	X	X	X	X
Encoder	1000 /2500Lines Incremental Encoder			1000 Lines Incremental Encoder		
Structure	Totally Enclosed, Natural Cooling(IP rating: IP54)					
Mass (kg)	Standard	2.93	2.93	3.32	1.1	1.9
	With Brake	3.6	3.6	4.01		2.1
Length (mm)	Standard	142	142	165	96	116
	With Brake	175	175	201		151
Permissible Load for the Shaft	L [mm]	32	32	32	27	32
	Radial [N]	392	392	392	245	392
	Thrust [N]	147	147	147	74	147

• Dimensions



Motor Series	LC (mm)	LZ (mm)	LA (mm)	S (mm)	LB (mm)	LL (mm)	LR (mm)	LE (mm)	LG (mm)	$\frac{t}{\delta}$	RH (mm)	W (mm)	T (mm)	TP (mm)
ELDM4010V24HL-**	40	Φ4.5	46	Φ8	Φ30	85	25	2.5	7	15.5	6	3	3	M3 ^T 6
ELDM4010V24GL-**	40	Φ4.5	46	Φ8	Φ30	115	25	2.5	7	15.5	6	3	3	M3 ^T 6
ELDM6020V24HL-**	60	Φ5.5	70	Φ14	Φ50	92	30	3	6.5	16.5	11	5	5	M5 ^T 10
ELDM6020V24GL-**	60	Φ5.5	70	Φ14	Φ50	131	30	3	6.5	16.5	11	5	5	M5 ^T 10
ELDM6020V36HL-**	60	Φ5.5	70	Φ14	Φ50	92	30	3	6.5	16.5	11	5	5	M5 ^T 10
ELDM6020V36GL-**	60	Φ5.5	70	Φ14	Φ50	121.8	30	3	6.5	16.5	11	5	5	M5 ^T 10
ELDM6040V48HL-**	60	Φ5.5	70	Φ14	Φ50	116	30	3	6.5	16.5	11	5	5	M5 ^T 10
ELDM6040V48GL-**	60	Φ5.5	70	Φ14	Φ50	155	30	3	6.5	16.5	11	5	5	M5 ^T 10
ELDM6040V60HL-**	60	Φ5.5	70	Φ14	Φ50	116	30	3	6.5	16.5	11	5	5	M5 ^T 10
ELDM6040V60GL-**	60	Φ5.5	70	Φ14	Φ50	155	30	3	6.5	16.5	11	5	5	M5 ^T 10
ELDM6060V48HL-**	60	Φ5.5	70	Φ14	Φ50	136	30	3	6.5	16.5	11	5	5	M5 ^T 10
ELDM6060V48GL-**	60	Φ5.5	70	Φ14	Φ50	175	30	3	6.5	16.5	11	5	5	M5 ^T 10
ELDM6060V60HL-**	60	Φ5.5	70	Φ14	Φ50	136	30	3	6.5	16.5	11	5	5	M5 ^T 10
ELDM6060V60GL-**	60	Φ5.5	70	Φ14	Φ50	175	30	3	6.5	16.5	11	5	5	M5 ^T 10
ELDM8075V48HM-**	80	Φ6.6	90	Φ19	Φ70	142	35	3	8	25	15.5	6	6	M6 ^T 10
ELDM8075V48GM-**	80	Φ6.6	90	Φ19	Φ70	177	35	3	8	25	15.5	6	6	M6 ^T 10
ELDM8075V60HM-**	80	Φ6.6	90	Φ19	Φ70	142	35	3	8	25	15.5	6	6	M6 ^T 10
ELDM8075V60GM-**	80	Φ6.6	90	Φ19	Φ70	177	35	3	8	25	15.5	6	6	M6 ^T 10
ELDM80100V48HM-**	80	Φ6.6	90	Φ19	Φ70	165	35	3	8	25	15.5	6	6	M6 ^T 10
ELDM80100V48GM-**	80	Φ6.6	90	Φ19	Φ70	201	35	3	8	25	15.5	6	6	M6 ^T 10
ELDM6005V24HM-A5-600	60	Φ5.5	70	Φ14	Φ50	96	30	3	6.5	16.5	11	5	5	M6 ^T 10
ELDM6013V24GM-A5	60	Φ5.5	70	Φ14	Φ50	113	30	3	6.5	16.5	11	5	5	M6 ^T 10
ELDM8006V24HM-A5-150	80	Φ6.6	90	Φ19	Φ70	116	35	3	8	25	15.5	6	6	M6 ^T 10
ELDM8006V24GM-A5-150	80	Φ6.6	90	Φ19	Φ70	151	35	3	8	25	15.5	6	6	M6 ^T 10

Ordering Information

Frame(mm)	NO.	Length (mm)	Diameter (mm)	Servo Drive	Power Cable	Encoder Cable	Brake Cable			
40	ELDM4010V24HL-**	85	Φ8	ELD2-RS400 ELD2-CAN400 ELD5-400 ELD5-400Z	CABLE-ACM*M*	CABLE-LD2-BM*M* (ELD2 Series) CABLE-ENCODER-** (ELD5 Series)				
	ELDM4010V24GL-**	115					CABLE-SC*M*-S			
60	ELDM6020V24HL-**	92	Φ14							CABLE-SC*M*-S
	ELDM6020V24GL-**	131								CABLE-SC*M*-S
	ELDM6020V36HL-**	92								
	ELDM6020V36GL-**	121.8								CABLE-SC*M*-S
	ELDM6040V48HL-**	116								
	ELDM6040V48GL-**	155								CABLE-SC*M*-S
	ELDM6040V60HL-**	116								
	ELDM6040V60GL-**	155								CABLE-SC*M*-S
	ELDM6060V48HL-**	136								
	ELDM6060V48GL-**	175								CABLE-SC*M*-S
80	ELDM6060V60HL-**	136	Φ19	ELD5-750 ELD2-RS7030 ELD2-CAN7030	CABLE-ACM*M*	CABLE-LD2-BM*M* (ELD2 Series) CABLE-ENCODER-** (ELD5 Series)	CABLE-SC*M*-S			
	ELDM6060V60GL-**	175								
	ELDM8075V48HM-**	142								
	ELDM8075V48GM-**	177								CABLE-SC*M*-S
	ELDM8075V60HM-**	142								
	ELDM8075V60GM-**	177								CABLE-SC*M*-S
60	ELDM80100V48HM-**	165	Φ19	ELD2-RS7030 ELD2-CAN7030	CABLE-ACM*M*	CABLE-LD2-BM*M* (ELD2 Series) CABLE-ENCODER-** (ELD5 Series)				
	ELDM80100V48GM-**	201					CABLE-SC*M*-S			
60	ELDM6005V24HM-A5-600	96	Φ14	ELD2-RS400 ELD2-CAN400 ELD5-400	CABLE-ACM*M*	CABLE-LD2-BM*M* (ELD2 Series) CABLE-ENCODER-** (ELD5 Series)				
60	ELDM6013V24GM-A5	113	Φ14				CABLE-SC*M*-S			
80	ELDM8006V24HM-A5-150	116	Φ19							
	ELDM8006V24GM-A5-150	151								CABLE-SC*M*-S

ELD2 Series

Tuning Cable: CABLE-PC-1

485 Communication Cable: CABLE-TX1M0-LD2

ELD5 Series

Tuning Cable: CABLE-ACH1000

485 Communication Cable: CABLE-TX1M0-BUS

AC Servo Systems

Brushless Servo Systems

Integrated Servo Motors

Reserved Products

Power Supply

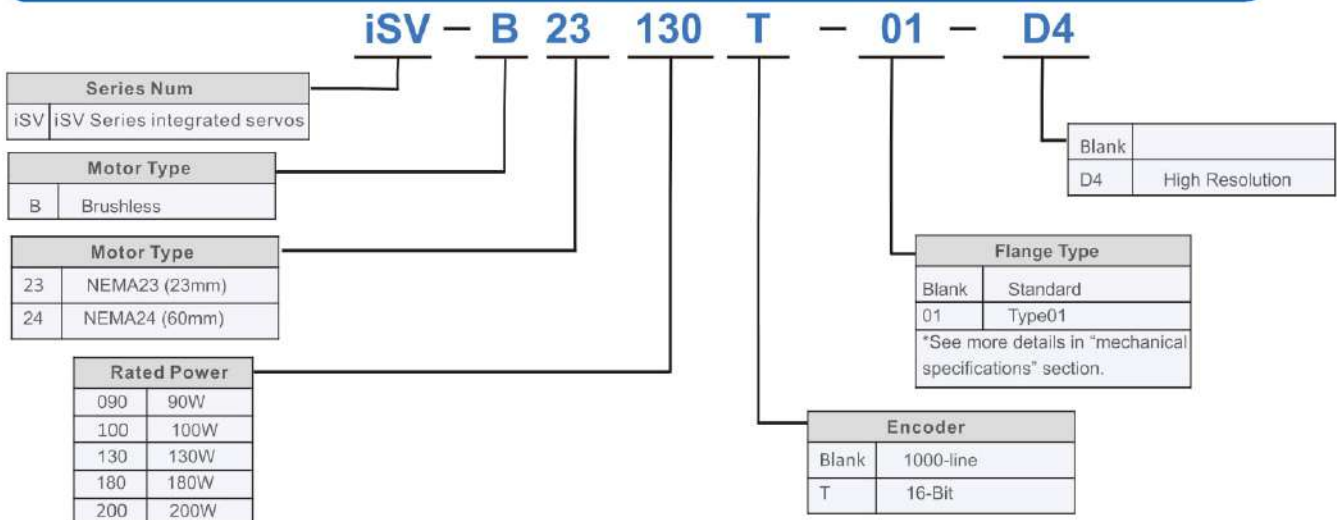
iSV Series Integrated Servo Motors

- Highly Integrated, Servo motor + advanced DSP servo drive
- Lower cable cost
- Support step & direction, commands
- Built-in pulse generator for the tuning and self-test
- Compact size, Save mounting space



Leadshine's iSV series integrated servo motors are one of the most compact servo systems available on the market. An iSV integrated servo has a servo motor (PMSM or BLDC optional) and an advanced DSP servo drive. At very compact size and with all components integrated, the iSV series servos can save mounting space, eliminate encoder connection and motor wiring time, increase reliability, and lower cable and labor cost. The drive takes step & direction, commands, and is capable of outputting in position and fault signals back to the master controller or external devices for complete system controls.

Part Numbers



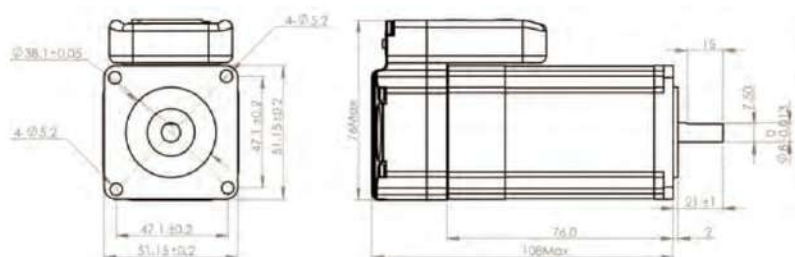
Specifications

Part Number	ISV-B23090*-01	ISV-B23130*-01	ISV-B23180*-01	ISV-B24100C	ISV-B24200C
Rated Power(W)	90	130	180	100	200
Rated Torque(Nm)	0.30	0.45	0.6	0.32	0.64
Peak Torque(Nm)	0.90	1.1	1.5	0.96	1.92
Rated Speed(rpm)	3000	3000	3000	3000	3000
Peak Speed(rpm)	4000	4000	4000	4000	4000
Rated Voltage(Vdc)	36	36	36	36	36
Weight(kg)	0.95	1.25	1.54	1.4	1.8

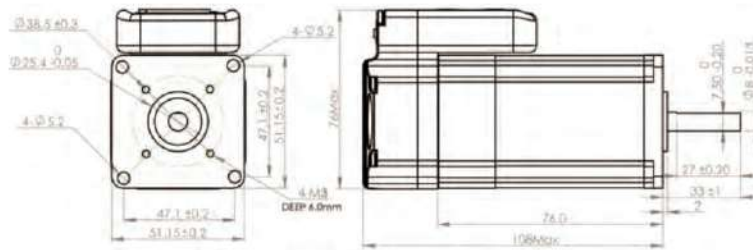
Mechanical Specifications

• iSV-B23090

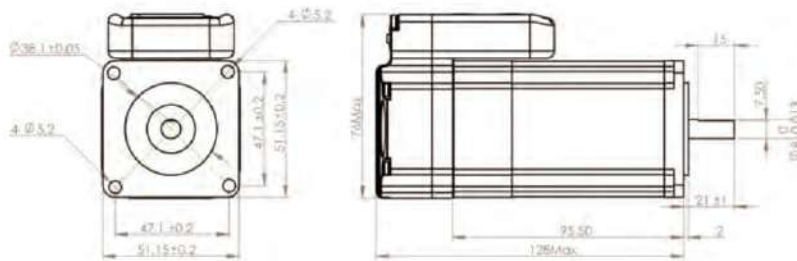
Units: mm 1 inch = 25.4 mm



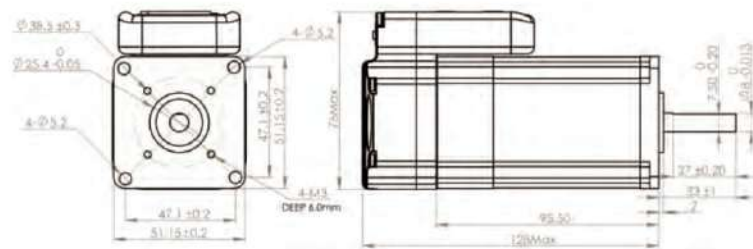
- iSV-B23090-01



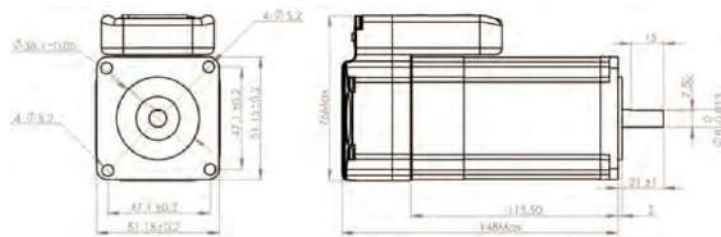
- iSV-B23130



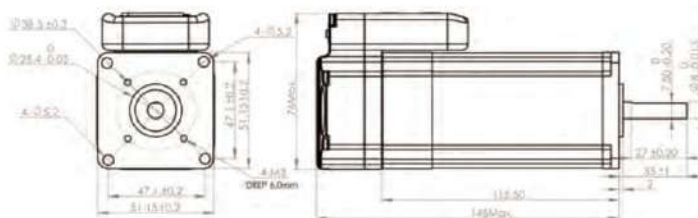
- iSV-B23130-01



- iSV-B23180



- iSV-B23180-01



Installation Notes:

- (1) Do not give strong impact shock to the motor shaft.
- (2) The motors are not water proof. Please contact Leadshine if you need a water proof product.
- (3) Keep the ambient temperature within the permissible temperature range (0 to 40 °C) for the product. Use force cooling method if necessary. Available time for the iSV-A24100, iSV-A24200, iSV-A24400, iSV-B17025, iSV-B17050, iSV-B17075 is to be determined. Please contact Leadshine or visit Leadshine's website at www.leadshine.com for the latest information about the iSV series integrated servos.

Reserved Product

- ACS Series Brushless Drives
- BLM Series Brushless Motors
- DCS Series Brushed Drives
- DCM Series Brushed Motors

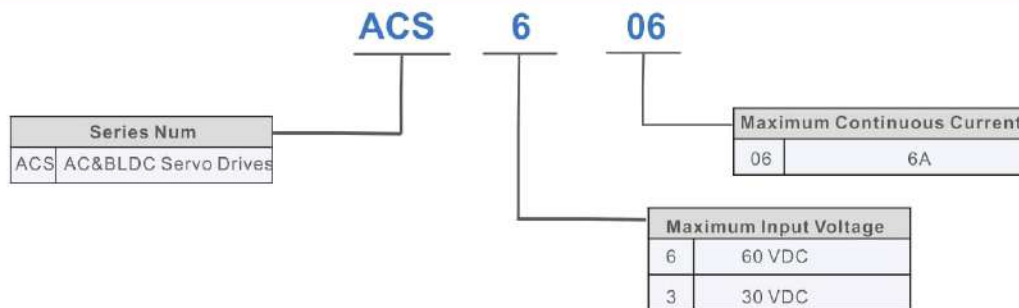
ACS Series Brushless Drives

The ACS series brushless drives are a traditional product series which provide a very cost-effective drive. It has been widely used for some application which need to enhance the performance and efficiency of the Machine. such as inkjet printers, engraving machines, electronics manufacturing equipments, special NC machines, pick and place devices, packing devices, and so on.

- 18-80Vdc · 6Amp cont/18Amp peak
- Up to 200watt
- Pulse + direction
- Cost-effective
- Compact size



Part Numbers

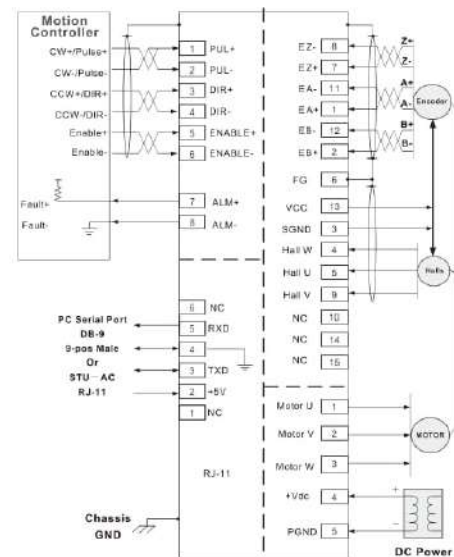


Specifications

Parameters	ACS306	ACS606
Maximum Continuous Power	150 W	200 W
Maximum Continuous Current	6 A	6 A
Peak Current	15 A	18 A
Input Voltage	18 to 30 VDC	18 to 60 VDC
Logical Signal Input Current	7 to 20 mA	7 to 20 mA
Pulse Input Frequency	0 to 250 kHz	0 to 250 kHz
Isolation Resistance	500 MΩ	500 MΩ
Current Provided for Encoder	100 mA	100 mA
Command Input	Step/Direction	Step/Direction
Enable/Disable Input	Differential	Differential
Alarm Signal Output	Isolated OC Output	No
End Limit Input	No	No
In Position Signal Output	No	No
Encoder Feedback	A, B, Z (Differential)	A, B, Z (Differential)
Hall Effect Sensor Feedback	U, V, W (Single-ended)	U, V, W (Single-ended)
Encoder Output	No	No
Communication Interface	RS232	RS232
Braking Resistor	No	No
Size (mm)	116×69.2×26.5	118×75.5×34
Weight (g)	280	280
Powering Motors	18 - 30 VDC, 10-150 W Brushless Servo Motors: BLM57025, BLM57050	18 - 60 VDC, 10-200 W Brushless Servo Motors: BLM57090, BLM57130, BLM57180, 57BL180

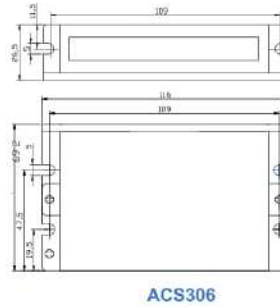
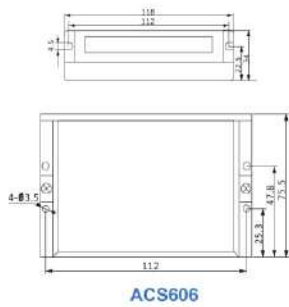
Typical Connection

- ACS306, ACS606



Mechanical Specifications

Units: mm

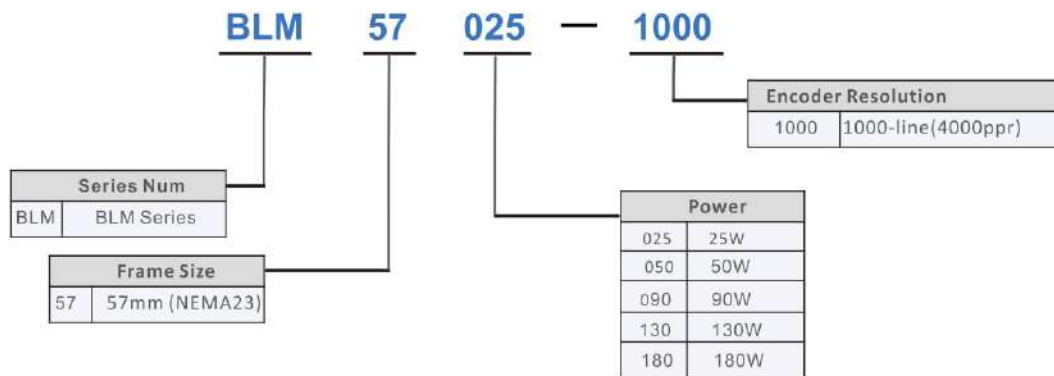


BLM Series Brushless Motors

BLM series brushless motors are highly cost-effective brushless DC motors with a 1000-line differential encoder (EA+/EA-, EB+/EB-), and Hall Sensors with standard Hall signals (U, V, W), which offer AC-servo-like performance, low motor noise and low heating performance, while at the cost of normal stepper systems.



Part Numbers



Notes:

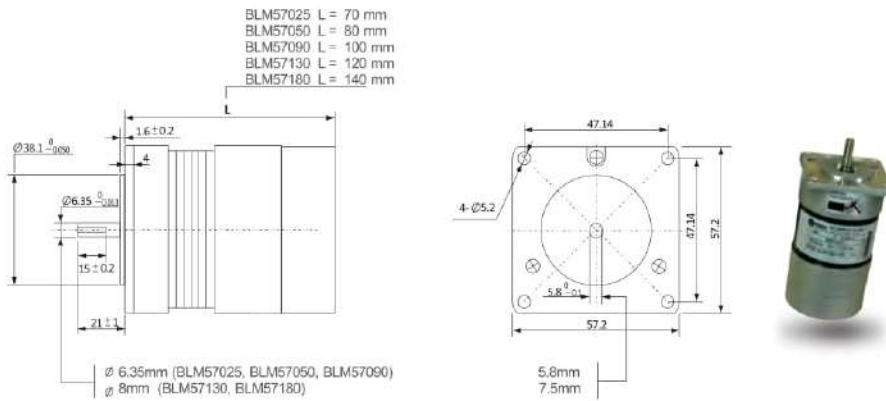
1. The 57BL180 is a screw mounted model and the above "Part Number" does not apply.
2. Rated voltage of the BLM57025, BLM57050 is 24VDC, and rated voltage of the BLM57090, BLM57130, BLM57180 and 57BL180 is 36VDC.
3. Standard models of the BLM series come with a standard 1000-line differential encoder with index slits (A, B, Z), and Hall Sensors (U, V, W).

Specifications

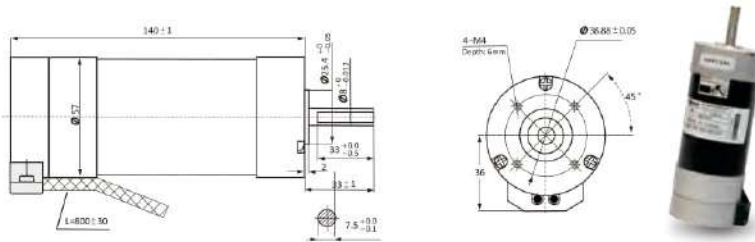
Parameters	Units	BLM57025	BLM57050	BLM57090	BLM57130	BLM57180	57BL180
Rated Voltage	VDC	24	24	36	36	36	36
Rated Power	W	25	50	90	130	180	180
Rated Torque	Nm	0.08	0.16	0.29	0.41	0.57	0.57
Rated Current	A	1.6	3	3.45	5.3	6.7	7
Rated Speed	RPM	3000	3000	3000	3000	3000	3000
Peak Torque	Nm	0.24	0.48	0.87	1.23	1.71	1.71
Peak Current	A	4.8	9	10.35	15.9	20	20.5
Torque Constant	Nm/A	0.05	0.053	0.084	0.078	0.085	0.089
Back EMF Constant	V/krpm	5.2	5.55	8.8	8.2	8.9	9.3
Inertia	$\text{Kg} \cdot \text{m}^2 \times 10^{-5}$	0.3	0.75	1.19	1.73	2.3	2.3
Poles	-	4	4	4	4	4	4

Mechanical Specifications

- BLM57025, BLM57050, BLM57090, BLM57130, BLM57180



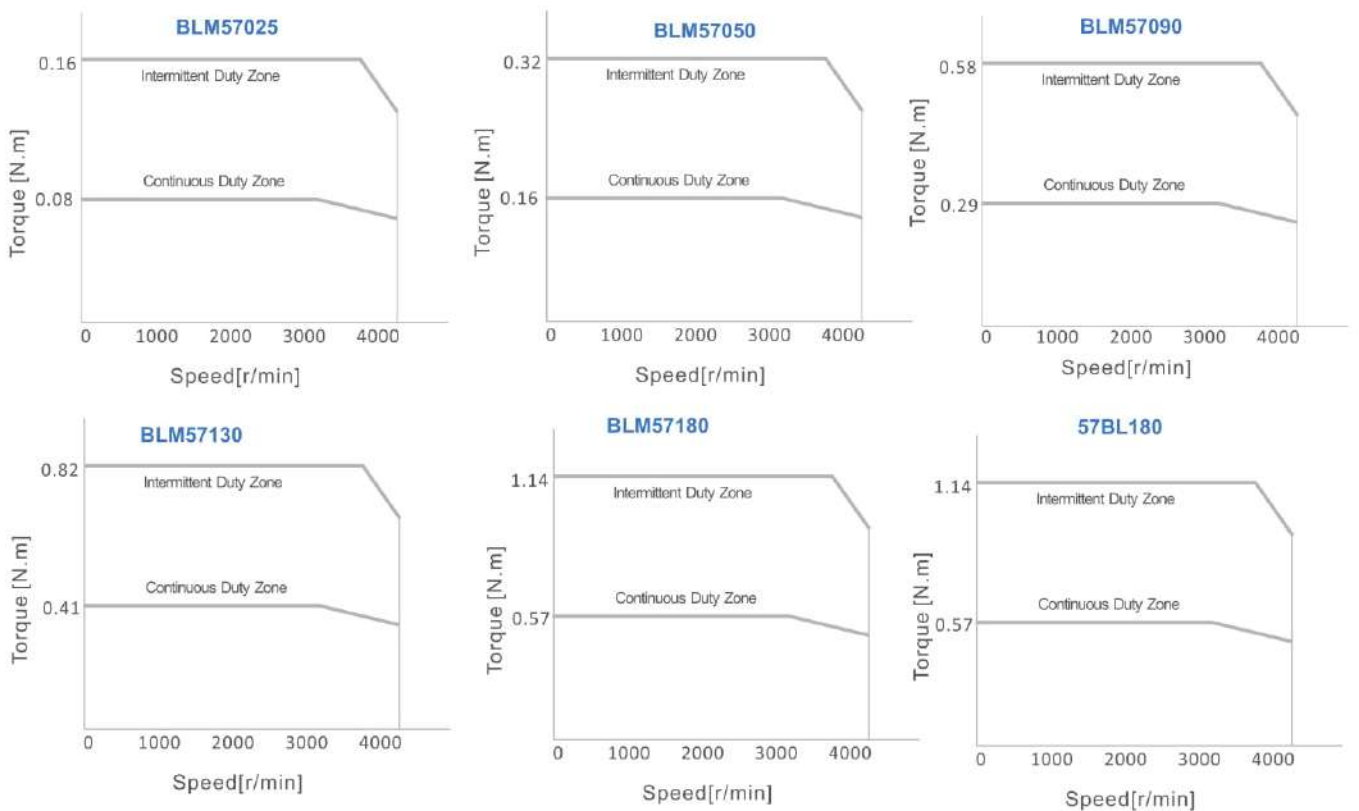
- 57BL180



Installation Notes:

- (1) Do not give strong impact shock to the motor shaft.
- (2) Make sure the hall sensor signals U/V/W are connected to the drive correctly.
- (3) The motors are not water proof. Please contact Leadshine if you need a water proof product.
- (4) Keep the ambient temperature within the permissible temperature range (0 to 40 °C) for the product. Use force cooling method if necessary.
- (5) The thread depth of the M4 mounting holes of the 57BL180 is 6.0 mm. Do not screw more than 6.0 mm as this will cause damage to the motor.

Torque-Speed Curves



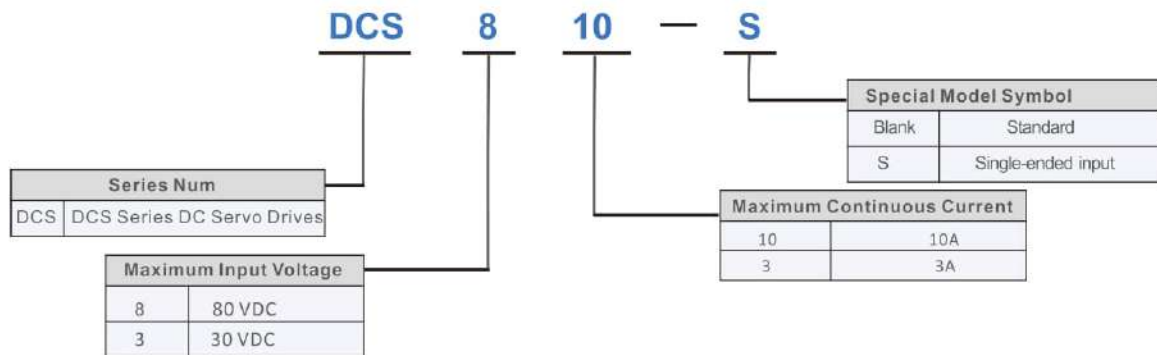
DCS Series Brushed Drives

DCS series brushed drives are brushed servo drives developed with advanced algorithms for smooth motion control. All inputs of those servo drives are opto-isolated. Taking step and direction control inputs makes drives easy to implement in many OEM applications. They can drive 10W to 400W brush DC servo motors at very high precision smoothly and quietly with very low motor heating at very effective costs.

- Step & direction, or CW/CCW control
- 18 to 80 VDC supply range
- Up to 10 A continuous and 20 A peak current
- Opto-isolated inputs
- Capable driving servo motors with single-ended or differential signals



Part Numbers

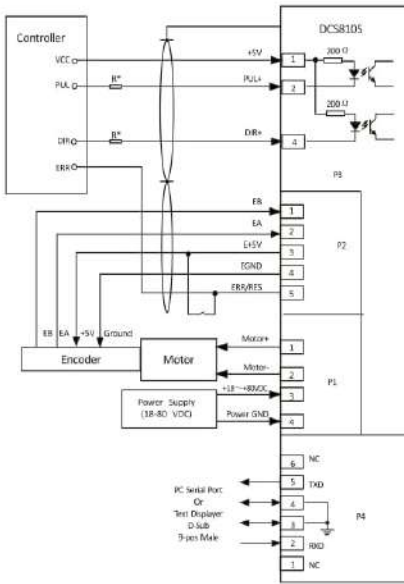


Specifications

Parameters	DCS303	DCS810	DCS810S
Maximum Continuous Power	90 W	400 W	400 W
Maximum Continuous Current	3 A	10 A	10 A
Peak Current	15 A	20 A	20 A
Input Voltage	18 to 30 VDC	18 to 80 VDC	18 to 80 VDC
Logical Signal Input Current	7 to 20 mA	7 to 20 mA	7 to 20 mA
Pulse Input Frequency	0 to 250 kHz	0 to 250 kHz	0 to 250 kHz
Isolation Resistance	500 MΩ	500 MΩ	500 MΩ
Current Provided for Encoder	50 mA	50 mA	50 mA
Command Input	Step/Direction Single-ended	Step/Direction & CW/CCW Single-ended & Differential	Step/Direction & CW/CCW Single-ended
Enable/Disable Input	Single-ended	Differential	Differential
Alarm Signal Output	Isolated, OC Output	No	NONE-Isolated, OC Output
Communication Connector	B4B-PH	RJ11	RJ11
Communication Interface	RS232	RS232	RS232
Encoder Feedback	A, B (Single-ended)	A+, A-, B+, B- (Differential)	A, B (Single-ended)
Size (mm)	86×55.5×20.5	116×69.2×26.5	116×69.2×26.5
Weight (g)	100	210	212
Powering Motors	18 to 30 VDC brush DC servo motors with single-ended encoder; power up to 90W	18 to 80 VDC brush DC servo motors with differential encoder; power up to 400W	18 to 80 VDC brush DC servo motors with single-ended encoder; power up to 400W

Typical Connection

• DCS810S



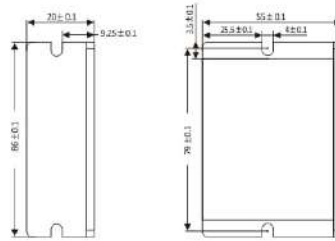
Notes:

* Series connect resistors R for current-limiting when +12V or +24V single-ended control signals are used. R=1K (Power>0.25W), if Vcc=12 V, and R=2K (Power>0.25W), if Vcc=24 V.

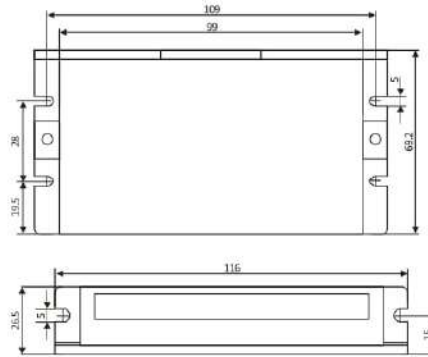
Mechanical Specifications

• DCS303

Units: mm
1 inch = 25.4 mm



• DCS810, DCS810S



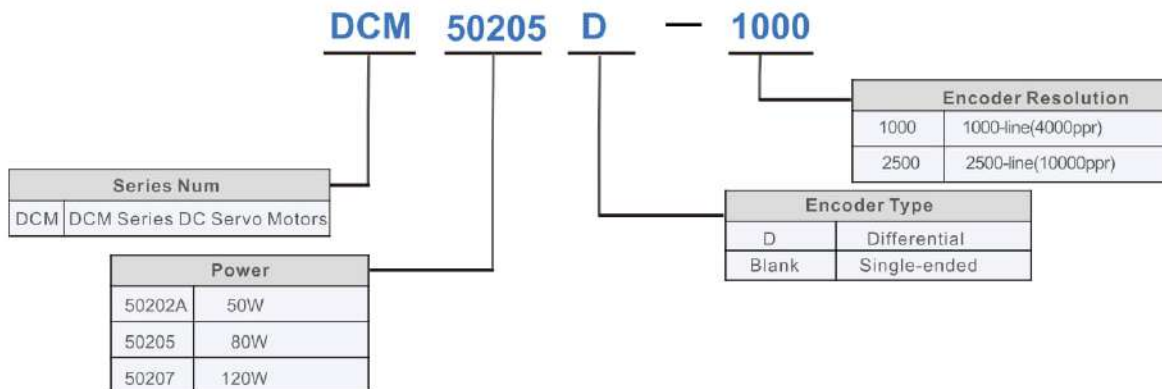
DCM Series Brushed Servo Motors

DCM series brushed DC servo motors are made at industrial quality and have been adopted by hundreds of OEM clients in the world such as CNC machinery, Inkjet printers, plotters, screen printing, lab automation, etc. Leadshine DCM brushed servo motors are integrated with standard 500-line or 1,000-line (standard) incremental encoders. The frame sizes are available in 54 mm (compatible with Pittman 14000 series), or standard NEMA 23.

- Available power in 50W, 80W and 120W
- Integrated 1,000-line differential-ended encoders. 500-line optional.
- 54 mm framesize compatible with Pittman 14000 series; NEMA 23 optional



Part Numbers



Specifications

Parameters	Units	DCM50202A	DCM50205	DCM50207
Rated Voltage	VDC	24	24	30.3
Rated Power	W	50	80	120
Continuous Torque (Max)	Nm	0.15	0.25	0.35
Peak Torque (Stall)	Nm	0.76	1.59	2.90
No-load Speed	RPM	4600±10%	4000±10%	3600±10%
Rated Speed	RPM	3500	3400	2900
Rated Current	A	1.79	2.95	3.94
Peak Current (Stall)	A	13.9	21.6	32.6
No-load Current	A	0.45	0.5	0.45
Torque Constant	Nm/A	48 x 10 ⁻³	52 x 10 ⁻³	80 x 10 ⁻³
Rotor Inertia	Kg*m ² ×10 ⁻⁵	1.62	3.11	4.73
Winding Temperature	°C	155 (Max)	155 (Max)	155 (Max)
Thermal Impedance	°C/watt	9.00	7.30	4.98
Encoder Resolution	Line	500/1000 optional	500/1000 optional	500/1000 optional
Length (Plus Encoder)	mm	129±2	161±2	196±2
Weight (Plus Encoder)	g	694	1182	1338

Encoder Specifications & Connections

The rated voltage of the Encoders come with the DCM series motors is 5VDC, and it consumes 50mA(max). The DCM5xxxx-1000 motor comes with a 1000-line encoder, and the DCM5xxxx-500 motor comes with a 50-line encoder. The Z (Index) signal is NOT offered by standard models, please contact Leadshine if an encoder with Z (Index) signal is required.

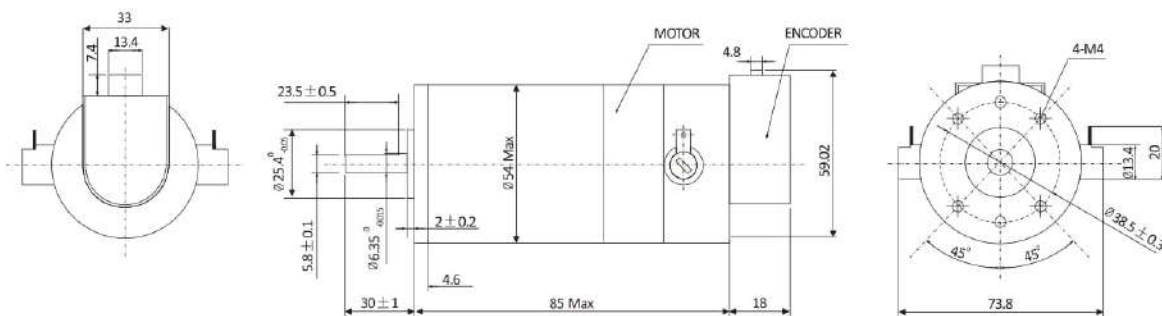
Encoder Connections

Connections of a single-ended encoder			Connections of a differential encoder		
Pin	Wire Color	Connection (DCS303, DCS810S / DCS810)	Pin	Wire Color	Connection (DCS810)
1	Blue	Channel B (EB / EB+)	1	Black	Channel A+ (EA+)
2	Yellow	Channel A (EA / EA+)	2	Blue	Channel A- (EA-)
3	Red	VCC (E+5V / E+5V)	3	Yellow	Channel B+ (EB+)
4	Black	Ground (EGND / EGND)	4	Green	Channel B- (EB-)
5	Green	Index / NC (NC / NC)	5	Red	VCC (E+5V)
			6	White	Ground (EGND)

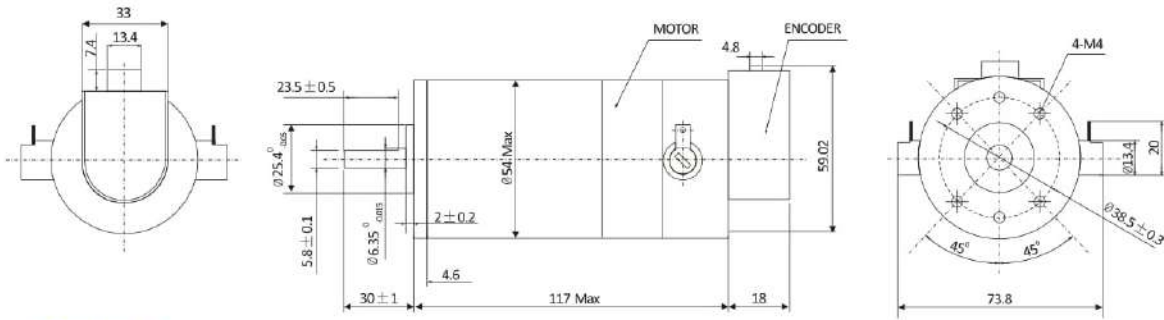
Mechanical Specifications

Units: mm 1 inch = 25.4 mm

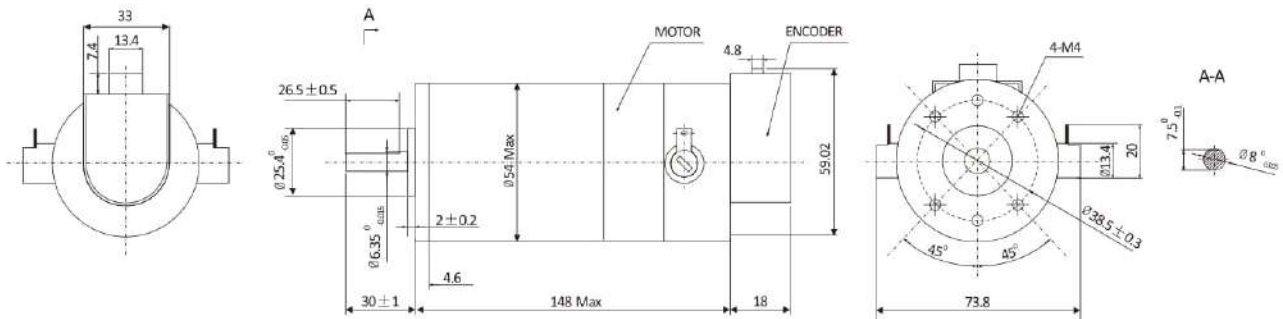
DCM50202A



• DCM50205



• DCM50207



Installation Notes:

- (1) Do not give strong impact shock to the motor shaft.
- (2) Make sure the encoder signals are connected to the drive correctly.
- (3) The motors are not water proof. Please contact Leadshine if you need a water proof product.
- (4) Keep the ambient temperature within the permissible temperature range (0 to 40 °C) for the product. Use force cooling method if necessary.

Power Supplies

- 220VAC \pm 10% or 110 VAC \pm 10%
- Higher Reliability and mass production
- High efficiency, low temperature rising



Features

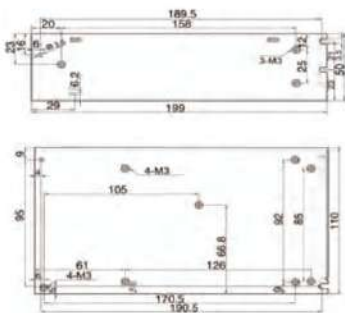
- 1.8 or 3 current overload
- Compact Size, Light in Weight
- Use Switch to select input voltage 220VAC \pm 10% or 110 VAC \pm 10%
- Over-current, Over-voltage, Low-voltage Protections
- Big Power with High Efficiency
- CE and RoHS

Electrical Specifications

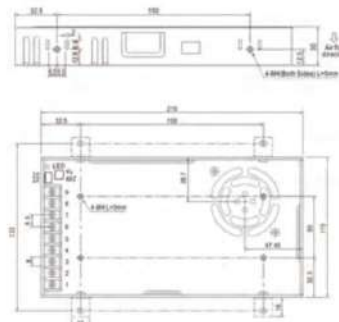
Model	Output Voltage (VDC)	Continuous Current(A)	Peak Current(A)	Input Voltage	Power(W)	Dimensions (mm)	Weight(Kg)
SPS2410(V3.0)	24	10	30	220VAC \pm 10% or 110VAC \pm 10%	240	199*110*50	0.8
SPS3611(V3.0)	36	11	33		400	215*115*30	0.6
SPS488(V3.0)	48	8.3	24.9		400	215*115*30	0.6
SPS606(V3.0)	60	6.7	20.1		400	215*115*30	0.6

Mechanical Specifications

(unit: mm, 1inch=25.4mm)



SPS2410(V2.0)



SPS3611(V2.0)/SPS488(V2.0)/SPS607(V2.0)



8 800 555-63-74 бесплатные звонки по РФ

Контакты

+7 (495) 505-63-74 - Москва

+7 (473) 204-51-56 - Воронеж

www.purelogic.ru

394033, Россия, г. Воронеж,
Ленинский пр-т, 160, офис 149

Пн-Чт: 8:00–17:00

Пт: 8:00–16:00

Перерыв: 12:30–13:30

info@purelogic.ru