

Power DC MSF-20W

MSF-20W Single output mini-size power supply



Summary

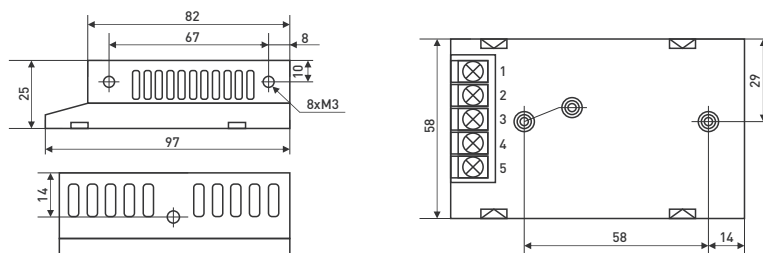
- Single output: power 20W
- Input voltage: 85 ∼ 264VAC 120 ∼ 370VDC

97 × 58 × 25 mm

General Specification

Specification	Model	MSF-20-5	MSF-20-12	MSF-20-15	MSF-20-24
DC output voltage, current		5V 0 ∼ 3A	12V 0 ∼ 1.3A	15V 0 ∼ 1A	24V 0 ∼ 0.7A
Wave and noise		50mVp-p	50mVp-p	50mVp-p	50mVp-p
Inlet wire stability		± 0.5%	± 0.5%	± 0.5%	± 0.5%
Load stability		± 1%	± 0.5%	± 0.5%	± 0.5%
Efficiency		68%	71%	72%	75%
Adjustable range for DC voltage		± 10%	± 10%	± 10%	± 10%
Input voltage range	85 ∼ 264VAC 120 ∼ 370VDC 47 ∼ 63Hz				
Impact current	Cold start current 30A/230VAC				
Overload protection	105% ∼ 135% cut off the output, automatic recovery				
Over voltage protection					
Setup, rise, hold up time	200ms, 50ms, 20ms/230VAC at full load				
Withstand voltage	I/P – O/P: 1.5kV I/P – FG: 1.5kV O/P – FG: 0.5kV 1 minute				
Isolation resistance	I/P – O/P I/P – FG O/P – FG: 500VDC/100MΩ				
Working temperature	-10°C ∼ +50°C				
Dimension	97 × 58 × 25 mm				
Weight	0.19 kg				
Packing	28.5 × 21.6 × 32CM/100PCS/19 kg				

Overall dimension (mm)



Power DC D-30

MS-35W Single output mini-size power supply



Summary

- > Single output: power 30W
- > Input voltage: 90 – 132VAC/180 – 264VAC by switch

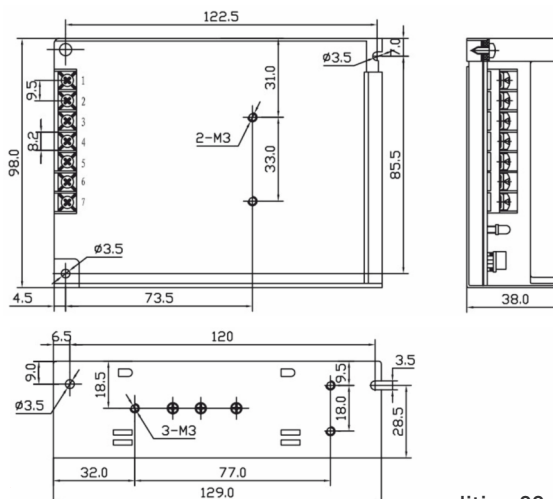
General Specification

Specification	Model	D-30-5-12		D-30-5-24		D-30-12-24	
		Ch1	Ch2	Ch1	Ch2	Ch1	Ch2
DC output voltage, current		5V 0 ∞ 4A	12V 0 ∞ 1A	5V 0 ∞ 2A	24V 0 ∞ 1A	12V 0 ∞ 1.5A	24V 0 ∞ 1.5A
Wave and noise		50mVp-p	100mVp-p	50mVp-p	100mVp-p	100mVp-p	120mVp-p
Inlet wire stability		± 0.5%	± 1%	± 0.5%	± 1%	± 0.5%	± 1%
Load stability		± 0.5%	± 4%	± 0.5%	± 4%	± 0.5%	± 4%
Efficiency		72%	72%	74%	74%	75%	75%
Adjustable range for DC voltage		± 10%	± 5%	± 10%	± 5%	± 10%	± 5%
Input voltage range		90 ∞ 132VAC/180 ∞ 264VDC 124 ∞ 370VDC 47 ∞ 63Hz					
Impact current		Cold start current 18A/115VAC 36A/230VAC					
Overload protection		105% ∞ 150% cut off the output, automatic recovery					
Over voltage protection							
Setup, rise, hold up time		200ms, 50ms, 30ms/230VAC at full load					
Withstand voltage		1/P-0/P:1.5kV I/P-FG:1.5kV 0/P-FG:0.5kV 1 minute					
Isolation resistance		1/P-0/P 1/P-FG 0/P-FG:500VDC/100MΩ					
Working temperature		-10°C ∞ +50°C					
Dimension		129 × 98 × 38 mm					
Weight		0.4 kg					
Packing		43 × 32.5 × 24CM/45PCS/18 kg					

Overall dimension (mm)

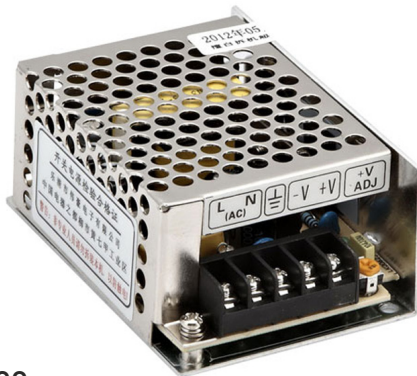
Terminal Pin No.Assignment

- Pin 1: AC/L
- Pin 2: AC/N
- Pin 3: FG
- Pin 4: DC output COM
- Pin 5: DC output +V2
- Pin 6: DC output COM
- Pin 7: DC output +V1



Power DC MS-35W

MS-35W Single output mini-size power supply



Summary

- > Single output: power 35W
- > Input voltage: 85 – 264VAC 120 – 370VDC

84 × 58 × 38 mm

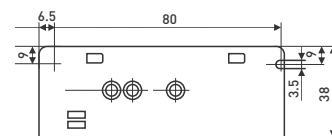
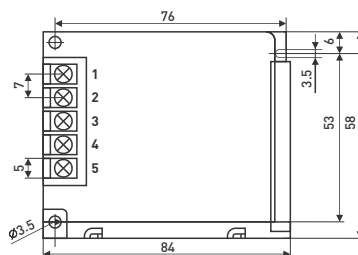
General Specification

Specification	Model	MS-35-5	MS-35-12	MS-35-15	MS-35-24
DC output voltage, current		5V 0 ∞ 6A	12V 0 ∞ 3A	15V 0 ∞ 2.4A	24V 0 ∞ 1.5A
Wave and noise		60mVp-p	80mVp-p	100mVp-p	100mVp-p
Inlet wire stability		± 1%	± 0.5%	± 0.5%	± 0.5%
Load stability		± 1%	± 0.5%	± 0.5%	± 0.5%
Efficiency		77%	80%	83%	84%
Adjustable range for DC voltage		± 10%	± 10%	± 10%	± 10%
Input voltage range	85 ∞ 264VAC 120 ∞ 370VDC 47 ∞ 63Hz				
Impact current	Cold start current 30A/230VAC				
Overload protection	105% ∞ 150% cut off the output, automatic recovery				
Over voltage protection	115% ∞ 135% shut down O/P voltage, re-power on to recover				
Setup, rise, hold up time	300ms, 50ms, 80ms/230VAC at full load				
Withstand voltage	I/P – O/P: 1.5kV I/P – FG: 1.5kV O/P – FG: 0.5kV 1 minute				
Isolation resistance	I/P – O/P I/P – FG O/P – FG 500VDC/100MΩ				
Working temperature	-10°C ∞ +50°C				
Dimension	84 × 58 × 38 mm				
Weight	0.22 kg				
Packing	38 × 35 × 24CM/100PCS/22 kg				

Overall dimension (mm)

Terminal Pin No.Assignment

- Pin 1,2: AC input
- Pin 3: GND
- Pin 4: DC output-V
- Pin 5: DC output+V



Power DC D-60

MS-35W Single output mini-size power supply



Summary

- > Single output: power 60W
- > Input voltage: 85 — 264VAC 120 — 370VDC

General Specification

159 × 98 × 38 mm		D-60-5-12		D-60-5-24		D-60-12-24	
Specification	Model	Ch1	Ch2	Ch1	Ch2	Ch1	Ch2
DC output voltage, current		5V 0 ∞ 4A	12V 0 ∞ 3A	5V 0 ∞ 3A	24V 0 ∞ 1.8A	12V 1 ∞ 2A	24V 0.2 ∞ 1.5A
Wave and noise		70mVp-p	150mVp-p	75mVp-p	150mVp-p	100mVp-p	120mVp-p
Inlet wire stability		± 0.5%	± 1%	± 0.5%	± 0.5%	± 1%	± 1%
Load stability		± 0.5%	± 4%	± 0.5%	± 4%	± 0.5%	± 8%
Efficiency		73%	73%	76%	76%	73%	73%
Adjustable range for DC voltage		± 10%	± 5%	± 10%	± 5%	± 10%	± 5%
Input voltage range	85 ~ 264VAC 120 ~ 370VDC 47 ~ 63Hz						
Impact current	Cold start current 30A/115VAC 60A/230VAC						
Overload protection	105% ~ 150% cut off the output, automatic recovery						
Over voltage protection							
Setup, rise, hold up time	300ms, 50ms, 80ms/230VAC at full load						
Withstand voltage	I/P-O/P: 1.5kV I/P-FG:1.5kV O/P-FG: 0.5kV 1minute						
Isolation resistance	I/P-O/P I/P-FG O/P-FG: 500VDC/100MO						
Working temperature	-10°C ~ +50°C						
Dimension	159 × 98 × 38 mm						
Weight	0.55 kg						
Packing	34 × 32 × 24CM/30PCS/16.5 kg						

Overall dimension (mm)

Terminal Pin No.Assignment

- Pin 1: AC/L
- Pin 2: AC/N
- Pin 3: FG
- Pin 4: DC output +V2
- Pin 5: DC output +V1
- Pin 6,7: DC output COM

