

# Power DC DR-20W

DR-20W Single output DIN rail power supply



## Summary

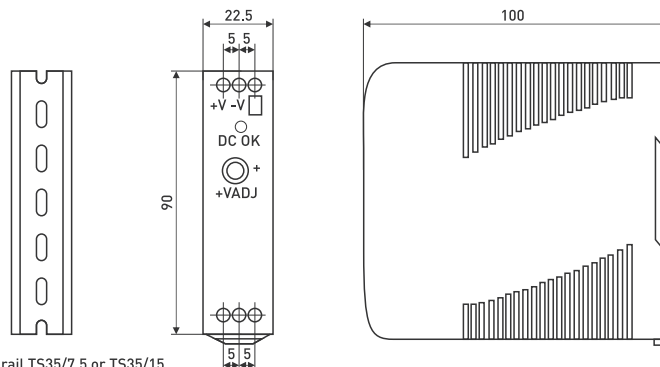
- > Single output: power 20W
- > Input voltage: 85 ∞ 264VAC 120 ∞ 370VDC

84 × 58 × 38 mm

## General Specification

Specification	Model	DR-20-5	DR-20-12	DR-20-15	DR-20-24
DC output voltage, current		5V 0 ∞ 4A	12V 0 ∞ 1.67A	15V 0 ∞ 1.34A	24V 0 ∞ 1A
Wave and noise		80mVp-p	120mVp-p	120mVp-p	150mVp-p
Inlet wire stability		± 1%	± 1%	± 1%	± 1%
Load stability		± 1%	± 1%	± 1%	± 1%
Efficiency		76%	80%	81%	84%
Adjustable range for DC voltage		± 2%	± 1%	± 1%	± 1%
Input voltage range		85 ∞ 264VAC 120 ∞ 370VDC 47 ∞ 63Hz			
Impact current		Cold start current 20A/115VAC 40A/230VAC			
Overload protection		105% ∞ 160% cut off the output, automatic recovery			
Over voltage protection		120% ∞ 140% shut down O/P voltage, re-power on to recover			
Setup, rise, hold up time		500ms, 30ms/230VAC at full load 1000ms, 30ms/115VAC at full load			
Withstand voltage		I/P – O/P: 1.5kV I/P – FG: 1.5kV O/P – FG: 0.5kV 1 minute			
Isolation resistance		I/P – O/P I/P – FG O/P – FG: 500VDC/100MΩ			
Working temperature		-10°C ∞ +50°C			
Dimension		22.5 × 90 × 100 mm			
Weight		0.19 kg			
Packing		45.5 × 31.5 × 23CM/90PCS/18 kg			

## Overall dimension (mm)



Install DIN rail TS35/7.5 or TS35/15



# Power DC DR-30W

DR-30W Single output DIN rail power supply



## Summary

- > Single output: power 30W
- > Input voltage: 85 ∼ 264VAC 120 ∼ 370VDC

78 × 93 × 56 mm

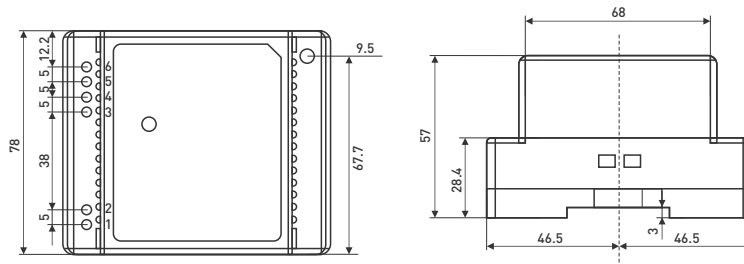
## General Specification

Specification	Model	DR-30-5	DR-30-12	DR-30-15	DR-30-24
DC output voltage, current		5V 0 ∼ 3A	12V 0 ∼ 2A	15V 0 ∼ 2A	24V 0 ∼ 1.5A
Wave and noise		80mVp-p	120mVp-p	120mVp-p	150mVp-p
Inlet wire stability		± 0.5%	± 0.5%	± 0.5%	± 0.5%
Load stability		± 1%	± 0.5%	± 0.5%	± 0.5%
Efficiency		74%	81%	82%	83%
Adjustable range for DC voltage		± 10%	± 10%	± 10%	± 10%
Input voltage range		85 ∼ 264VAC 120 ∼ 370VDC 47 ∼ 63Hz			
Impact current		Cold start current 15A/115VAC 30A/230VAC			
Overload protection		105% ∼ 160% cut off the output, automatic recovery			
Over voltage protection		115% ∼ 135% shut down O/P voltage, re-power on to recover			
Setup, rise, hold up time		800ms, 60ms, 50ms/230VAC at full load			
Withstand voltage		I/P – O/P: 1.5kV I/P – FG: 1.5kV O/P – FG: 0.5kV 1 minute			
Isolation resistance		I/P – O/P I/P – FG O/P – FG: 500VDC/100MΩ			
Working temperature		-10°C ∼ +50°C			
Dimension		78 × 93 × 56 mm			
Weight		0.27 kg			
Packing		43 × 32 × 21.5CM/45PCS/12.5 kg			

## Overall dimension (mm)

### Terminal Pin No. Assignment

- Pin 1,2: AC input
- Pin 3,4: DC output+V
- Pin 5,6: DC output-V



# Power DC MDR-20W

MDR-20W Single output DIN rail power supply



## Summary

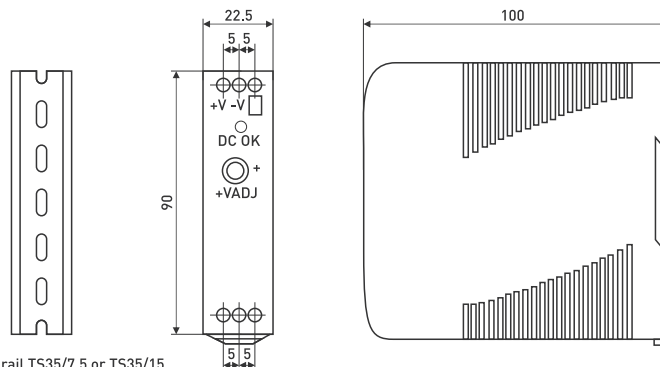
- > Single output: power 20W
- > Input voltage: 85 ∼ 264VAC 120 ∼ 370VDC

84 × 58 × 38 mm

## General Specification

Specification	Model	MDR-20-5	MDR-20-12	MDR-20-15	MDR-20-24
DC output voltage, current		5V 0 ∼ 3A	12V 0 ∼ 1.67A	15V 0 ∼ 1.34A	24V 0 ∼ 1A
Wave and noise		80mVp-p	120mVp-p	120mVp-p	150mVp-p
Inlet wire stability		± 1%	± 1%	± 1%	± 1%
Load stability		± 1%	± 1%	± 1%	± 1%
Efficiency		76%	80%	81%	84%
Adjustable range for DC voltage		± 2%	± 1%	± 1%	± 1%
Input voltage range		85 ∼ 264VAC 120 ∼ 370VDC 47 ∼ 63Hz			
Impact current		Cold start current 20A/115VAC 40A/230VAC			
Overload protection		105% ∼ 160% cut off the output, automatic recovery			
Over voltage protection		120% ∼ 140% shut down O/P voltage, re-power on to recover			
Setup, rise, hold up time		500ms, 30ms/230VAC at full load 1000ms, 30ms/115VAC at full load			
Withstand voltage		I/P – O/P: 1.5kV I/P – FG: 1.5kV O/P – FG: 0.5kV 1 minute			
Isolation resistance		I/P – O/P I/P – FG O/P – FG: 500VDC/100MΩ			
Working temperature		-10°C ∼ +50°C			
Dimension		22.5 × 90 × 100 mm			
Weight		0.19 kg			
Packing		45.5 × 31.5 × 23CM/90PCS/18 kg			

## Overall dimension (mm)



# Power DC MDR-60W

MDR-60W Single output DIN rail power supply



## Summary

- > Single output: power 60W
- > Input voltage: 85 ∼ 264VAC 120 ∼ 370VDC

40 × 90 × 100 mm

## General Specification

Specification	Model	MDR-60-5	MDR-60-12	MDR-60-24	MDR-60-36	MDR-60-48
DC output voltage, current		5V 0 ∼ 10A	12V 0 ∼ 5A	24V 0 ∼ 2.5A	36V 0 ∼ 1.6A	48V 0 ∼ 1.25A
Wave and noise		80mVp-p	120mVp-p	150mVp-p	200mVp-p	200mVp-p
Inlet wire stability		± 1%	± 1%	± 1%	± 1%	± 1%
Load stability		± 1%	± 1%	± 1%	± 1%	± 1%
Efficiency		76%	80%	81%	84%	84%
Adjustable range for DC voltage		± 2%	± 1%	± 1%	± 1%	± 1%
Input voltage range	85 ∼ 264VAC 120 ∼ 370VDC 47 ∼ 63Hz					
Impact current	Cold start current 30A/115VAC 60A/230VAC					
Overload protection	105% ∼ 150% cut off the output, automatic recovery					
Over voltage protection	120% ∼ 140% shut down O/P voltage, re-power on to recover					
Setup, rise, hold up time	500ms, 30ms/230VAC at full load 500ms, 30ms/115VAC at full load					
Withstand voltage	I/P – O/P: 1.5kV I/P – FG: 1.5kV O/P – FG: 0.5kV 1 minute					
Isolation resistance	I/P – O/P I/P – FG O/P – FG: 500VDC/100MΩ					
Working temperature	-10°C ∼ +50°C					
Dimension	40 × 90 × 100 mm					
Weight	0.33 kg					
Packing	45.5 × 32.5 × 23CM/60PCS/20 kg					

## Overall dimension (mm)

