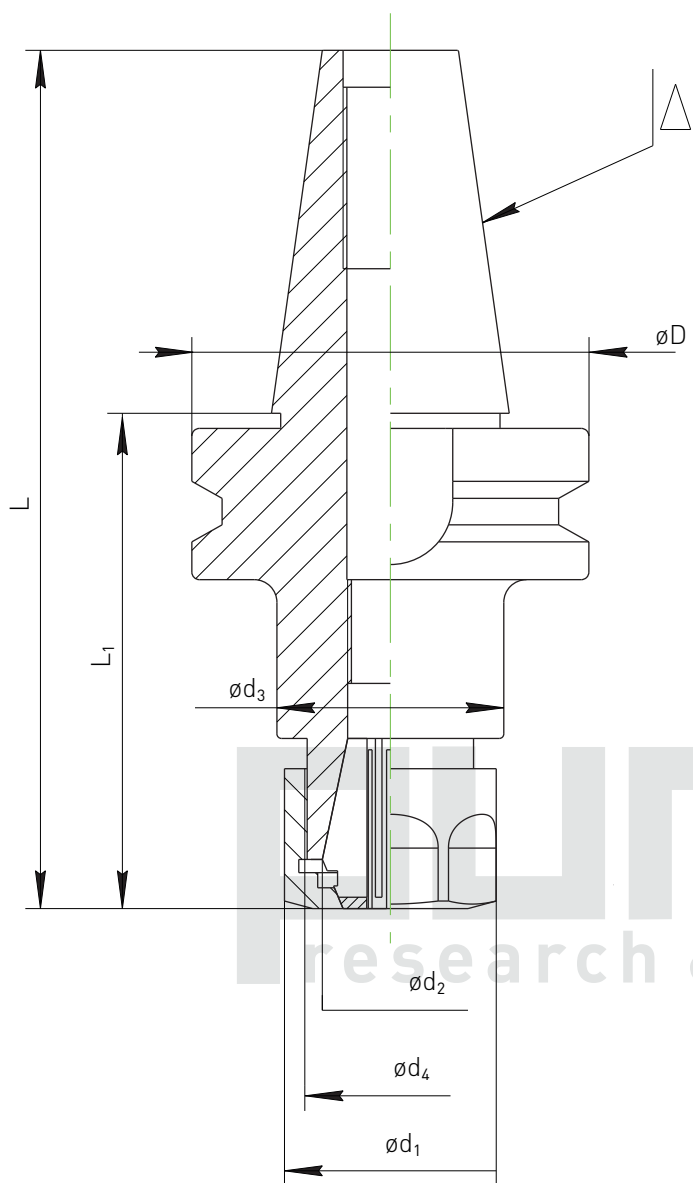


Цанговые патроны BT, ISO, JT



Обозначение	Конус	Размеры, мм							Масса, кг
		$\varnothing d_1$	$\varnothing d_2$	$\varnothing d_3$	$\varnothing d_4$	$\varnothing D$	L	L ₁	
BT30-ER16-70L	BT30	28	16	29	M22x1.5	46	118.4	70	0.55
BT30-ER16-100L	BT30	28	16	29	M22x1.5	46	148.4	100	0.8
BT30-ER20	BT30	34	20	36	M25x1.5	46	147.8	100	0.63
BT30-ER20-70L	BT30	34	20	36	M25x1.5	46	118.4	70	0.75
BT30-ER25-70L	BT30	42	25	42	M32x1.5	46	118.4	70	0.7
BT30-ER25-100L	BT30	42	25	42	M32x1.5	46	148	100	0.7
BT30-ER32-70L	BT30	49	32	45	M40x1.5	46	118.4	70	0.85
BT30-ER32-100L	BT30	49	32	45	M40x1.5	46	148.4	100	0.95
BT40-ER16-70L	BT40	28	16	30	M22x1.5	63	135.4	70	1.2
BT40-ER20-70L	BT40	34	20	36	M25x1.5	63	135.4	70	1.4
BT40-ER25-70L	BT40	42	25	42	M32x1.5	63	135.4	70	1.3
BT40-ER32-70L	BT40	49	32	50	M40x1.5	63	135.4	70	1.3
BT50-ER16-100L	BT50	28	16	30	M22x1.5	100	206.8	105	4.3
BT50-ER20-100L	BT50	34	20	36	M25x1.5	100	206.8	105	4.3
BT50-ER25-100L	BT50	42	25	42	M32x1.5	100	206.8	105	4.4
BT50-ER32-100L	BT50	49	32	50	M40x1.5	100	201.8	100	4.8
JT30-ER16M-70L	JT30	22	16	25	M19x1	50	117.8	70	0.55
JT30-ER20M-100L	JT30	28	20	32	M24x1	50	147.8	100	0.7
ISO20-ER16	ISO20	28	16	-	M22x1.5	35	70	38	0.17
ISO20-ER20	ISO20	34	20	-	M25x1.5	35	77.8	44.5	0.25